

# ASSEMBLY INSTRUCTIONS

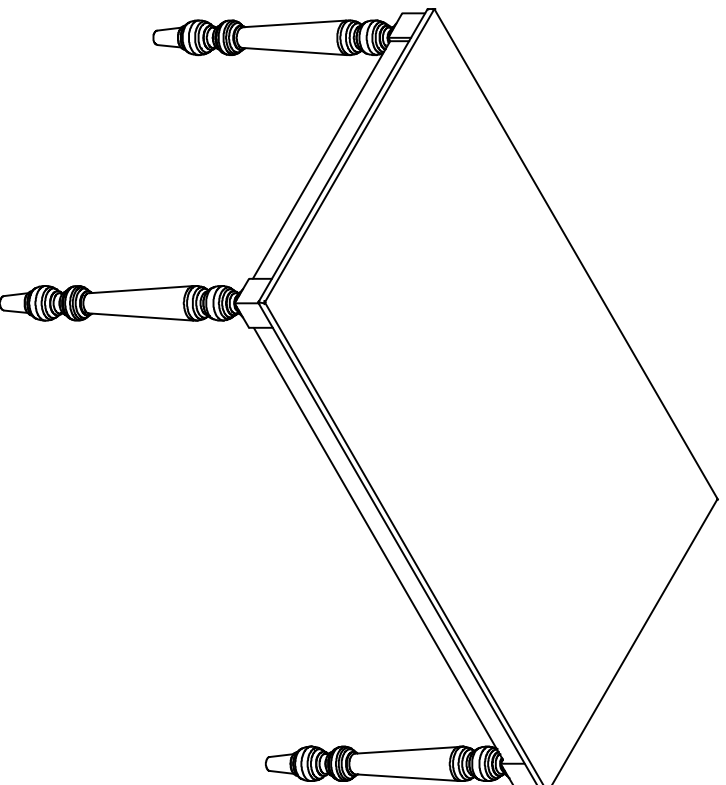
## DINING TABLE

**READ** this sheet prior to assembly to familiarise yourself with the various stage of construction. Carefully open the pack supplied and check the contents against the parts and fitting check list. Do not destroy any of the packing until you are certain that you have all the necessary part for the assembly.

**CAUTION:** There are small components used in the construction of this unit. These loose items should kept away from young children whilst assembling your unit to avoid the danger of choking hazards.

### INFORMATION:

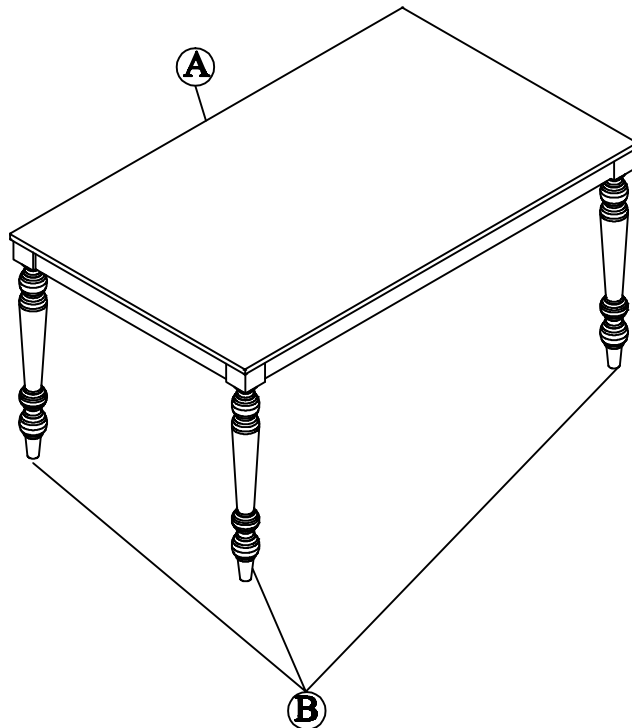
- Due to the size of this product we recommend that it is assembled in the room intended for use.
  - Check all screws or bolts are tightened and inspect regularly.
  - Make sure the support legs remain in contact with the ground at all times.
  - DONOT** use power tools to construct this product.
  - DONOT** over tighten the screws or bolts.
  - DONOT** tighten screws until the product is fully assembled
- Please retain these instruction for future reference





## ASSEMBLY INSTRUCTIONS DINING TABLE

Before starting assemble, please check all parts and hardware packed in carton to make sure all of those are completely included in the box. If any part(s) or hardware (s) are missing or damage, please contact your nearest furniture dealer for replace.  
\*Please do not tighten the bolts or screw before completed last step.

### Part List & illustration





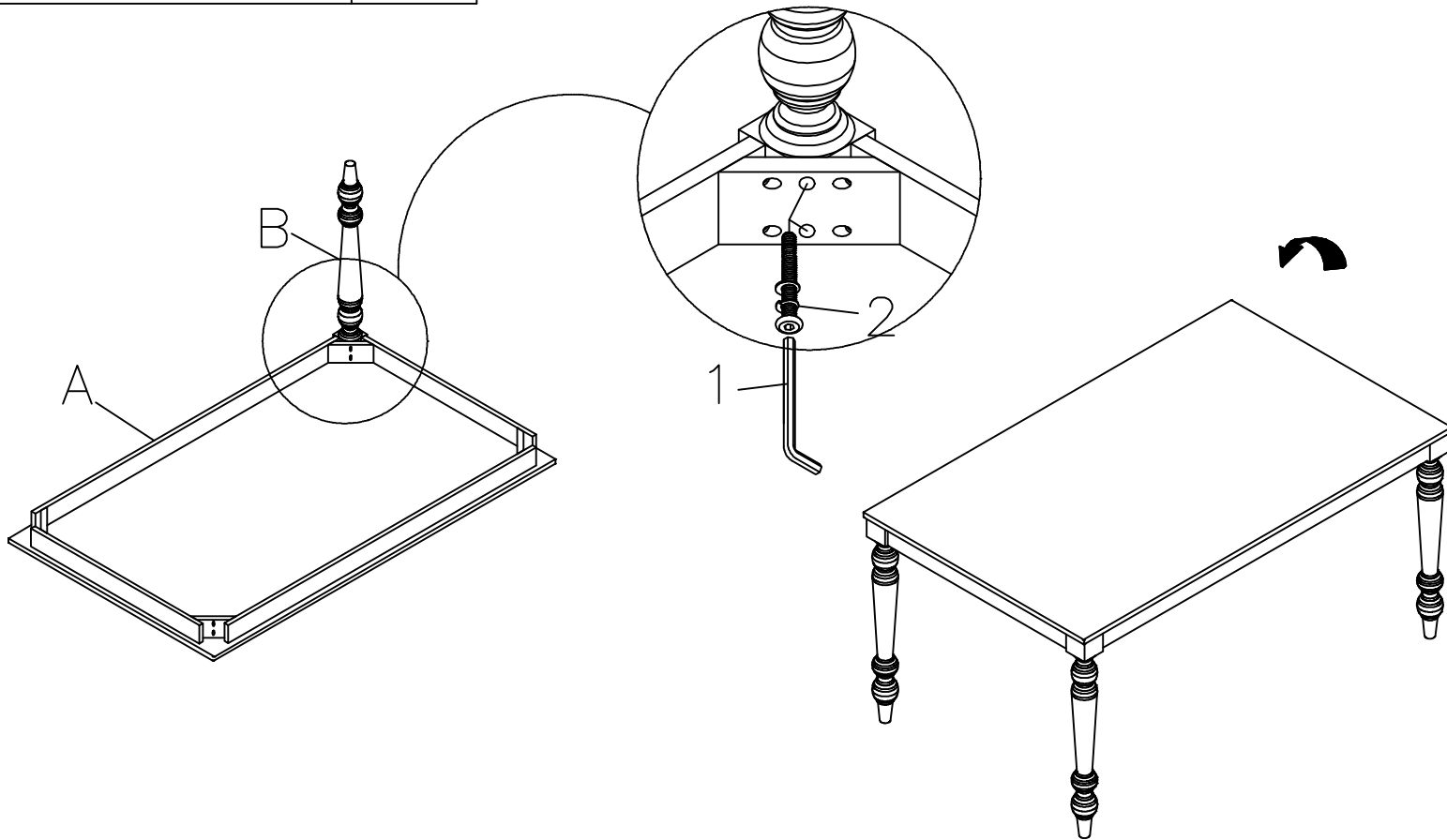
### Hardware & illustration

No	Description	Qty
1	 Allen Key	1pc
2	 5/16" x 70mm	8pcs

### Part List & illustration

A	B
1pc	4pcs

No	Description	Qty
1	 Allen Key	1pc
2	 5/16" x 70mm	8pcs



# ASSEMBLY INSTRUCTIONS

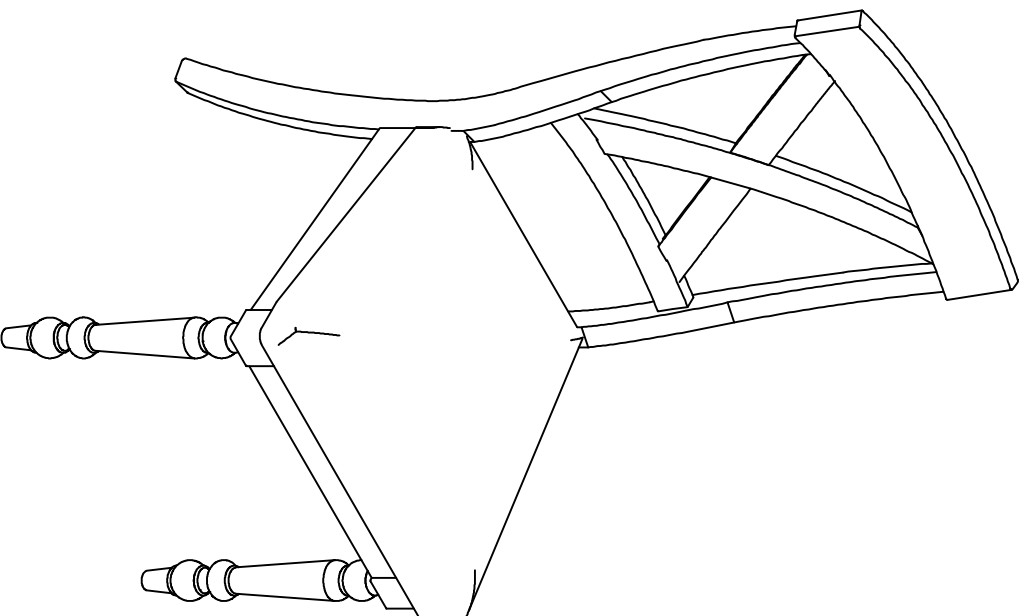
## DINING CHAIR

**READ** this sheet prior to assembly to familiarise yourself with the various stage of construction. Carefully open the pack supplied and check the contents against the parts and fitting check list. Do not destroy any of the packing until you are certain that you have all the necessary part for the assembly.

**CAUTION:** There are small components used in the construction of this unit. These loose items should kept away from young children whilst assembling your unit to avoid the danger of choking hazards.

### **INFORMATION:**

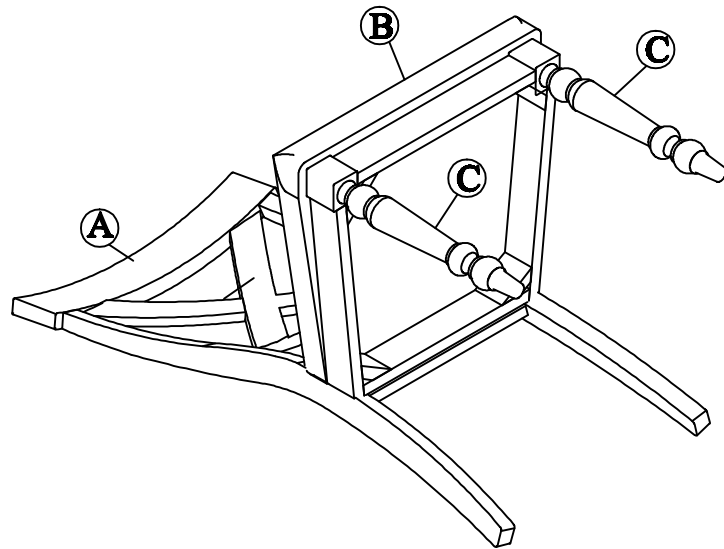
- Due to the size of this product we recommend that it is assembled in the room intended for use.
  - Check all screws or bolts are tightened and inspect regularly.
  - Make sure the support legs remain in contact with the ground at all times.
  - DONOT** use power tools to construct this product.
  - DONOT** over tighten the screws or bolts.
  - DONOT** tighten screws until the product is fully assembled
- Please retain these instruction for future reference







## ASSEMBLY INSTRUCTIONS DINING CHAIR

Before starting assemble, please check all parts and hardware packed in carton to make sure all of thoses are completely included in the box. If any part(s) or hardware (s) are missing or damage, please contact your nearest furniture dealer for replace.  
\*Please do not tighten the bolts or screw before completed last step.

### Part List & illustration



### Hardware & illustration

No	Description	Qty
1	 Allen Key	1pc
2	 Ø1/4" x 35mm	3pcs
3	 Ø1/4" x 83mm	4pcs
4	 Ø1/4" x 53mm	4pcs

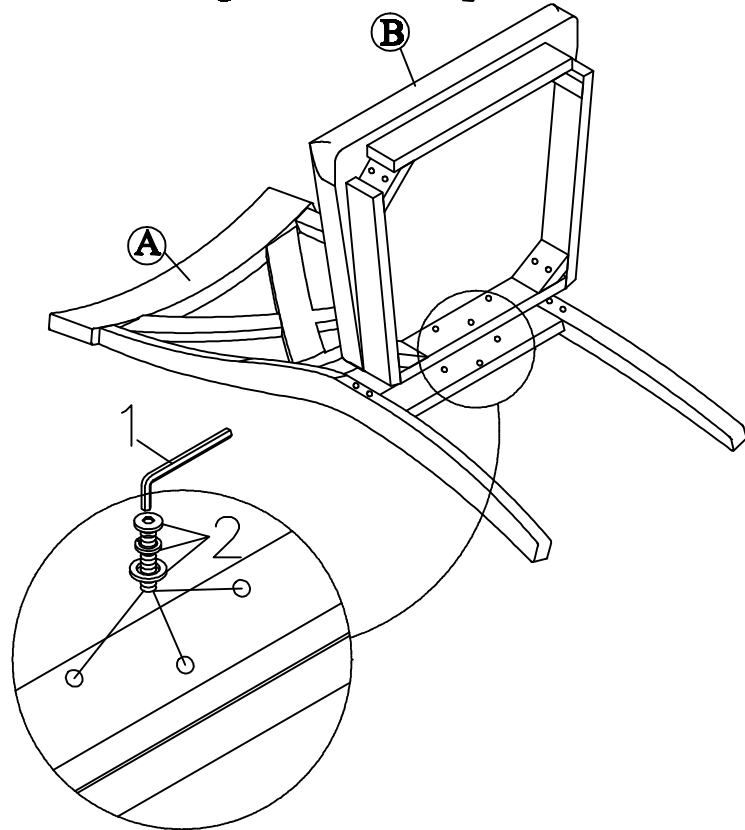
### Part List & illustration

A	B	C
1pc	1pc	2pcs

**STEP 1**

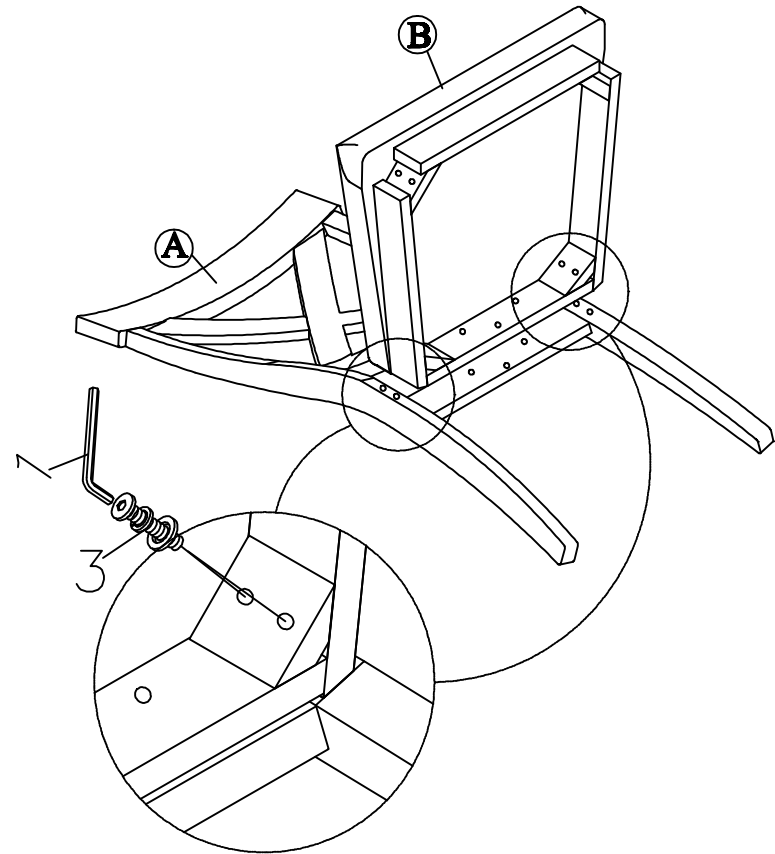
No	Description	Qty
1	> Allen Key	1pc
2	#— Ø1/4" x 35mm	3pcs

**\*Noted: All Bolts and Screws only Assembly, not tight for this step.**



**STEP 2**

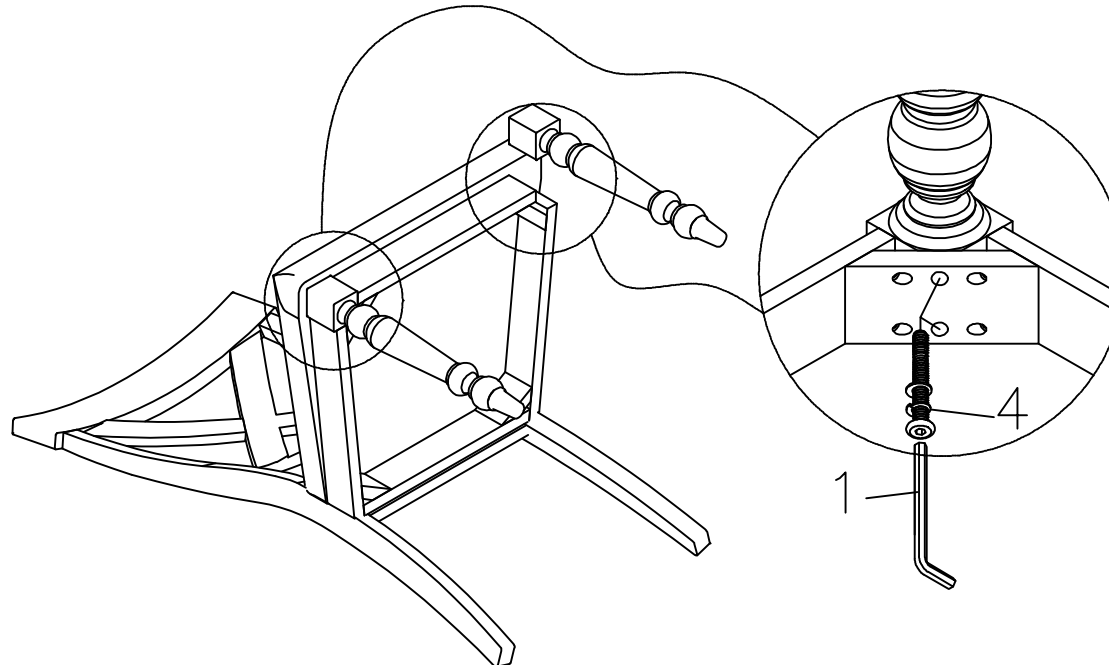
No	Description	Qty
1	> Allen Key	1pc
3	#— Ø1/4" x 83mm	4pcs



### STEP 3

**\*Noted: After finished assembly,  
tight All Bolts and Screws.**

No	Description	Qty
1	Allen Key	1pc
4	# — Ø1/4" x 53mm	4pcs



# ASSEMBLY INSTRUCTIONS

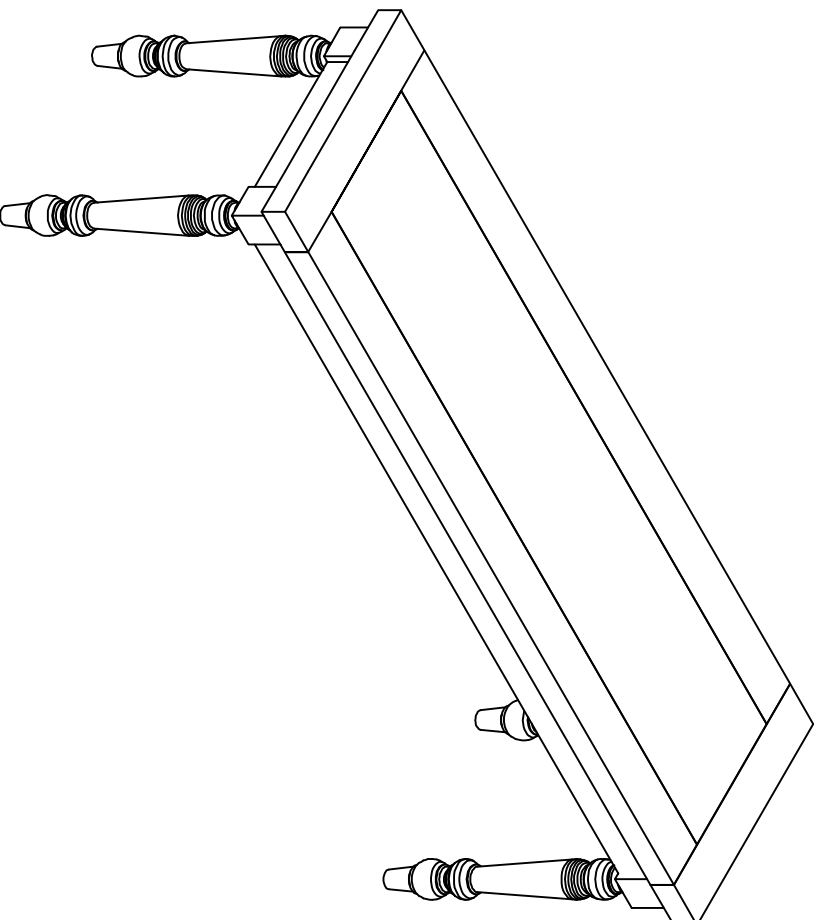
## BENCH

**READ** this sheet prior to assembly to familiarise yourself with the various stage of construction. Carefully open the pack supplied and check the contents against the parts and fitting check list. Do not destroy any of the packing until you are certain that you have all the necessary part for the assembly.

**CAUTION:** There are small components used in the construction of this unit. These loose items should kept away from young children whilst assembling your unit to avoid the danger of choking hazards.

### INFORMATION:

- Due to the size of this product we recommend that it is assembled in the room intended for use.
  - Check all screws or bolts are tightened and inspect regularly.
  - Make sure the support legs remain in contact with the ground at all times.
  - DONOT** use power tools to construct this product.
  - DONOT** over tighten the screws or bolts.
  - DONOT** tighten screws until the product is fully assembled
- Please retain these instruction for future reference

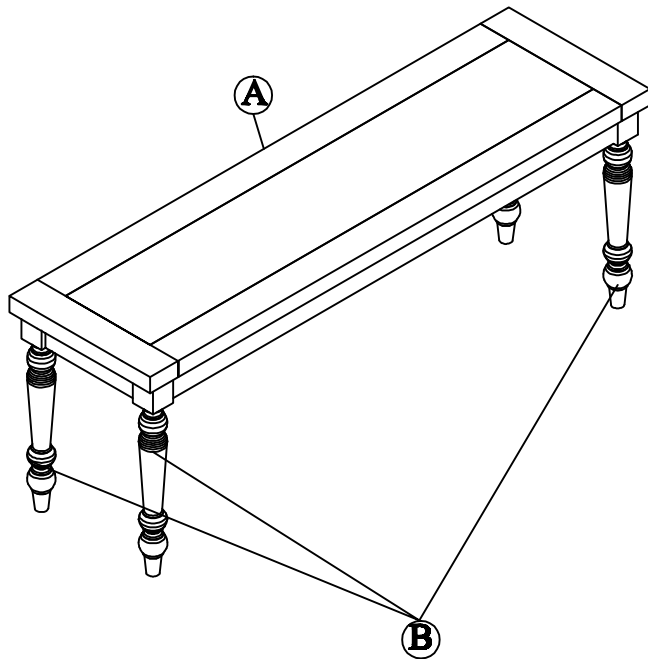




## ASSEMBLY INSTRUCTIONS BENCH

Before starting assemble, please check all parts and hardware packed in carton to make sure all of thoses are completely included in the box. If any part(s) or hardware (s) are missing or damage, please contact your nearest furniture dealer for replace.  
\*Please do not tighten the bolts or screw before completed last step.

### Part List & illustration



### Hardware & illustration

No	Description	Qty
1	> Allen Key	1pc
2	⌀1/4" x 53mm	8pcs

### Part List & illustration

A	B
1pc	4pcs

No	Description	Qty
1	Allen Key	1pc
2	#1- Ø1/4" x 53mm	8pcs

