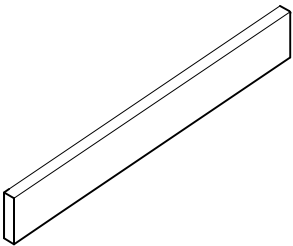
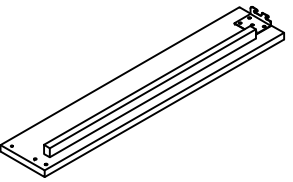
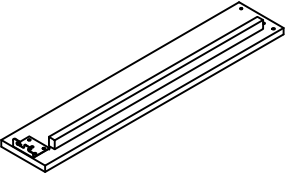
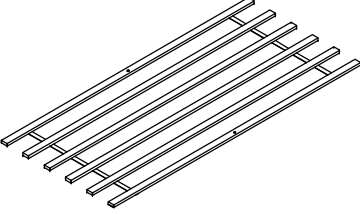
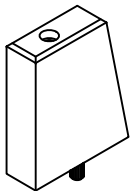
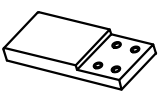

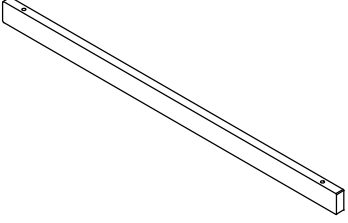
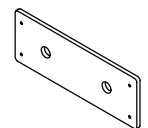








ACTON—QUEEN—KING

PART LIST:

<p>A x 2</p> 	<p>B x 2</p> 	<p>C x 2</p> 	<p>D x 2</p> 
<p>E x 4</p> 	<p>F x 2</p> 	<p>G x 4</p> 	<p>H x 2</p> 

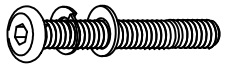
HARDWARE LIST:

<p>I x 2</p> 	<p>J x 1</p>  <p>(M4)</p>	<p>K x 4</p>  <p>ø5/16"x60mm</p>	<p>L x 8</p>  <p>ø5/16"x25mm</p>
<p>M x 4</p>  <p>ø1/4"x80mm</p>	<p>N x 8</p>  <p>ø1/4"x35mm</p>	<p>O x 4</p>  <p>ø1/4"x20mm</p>	

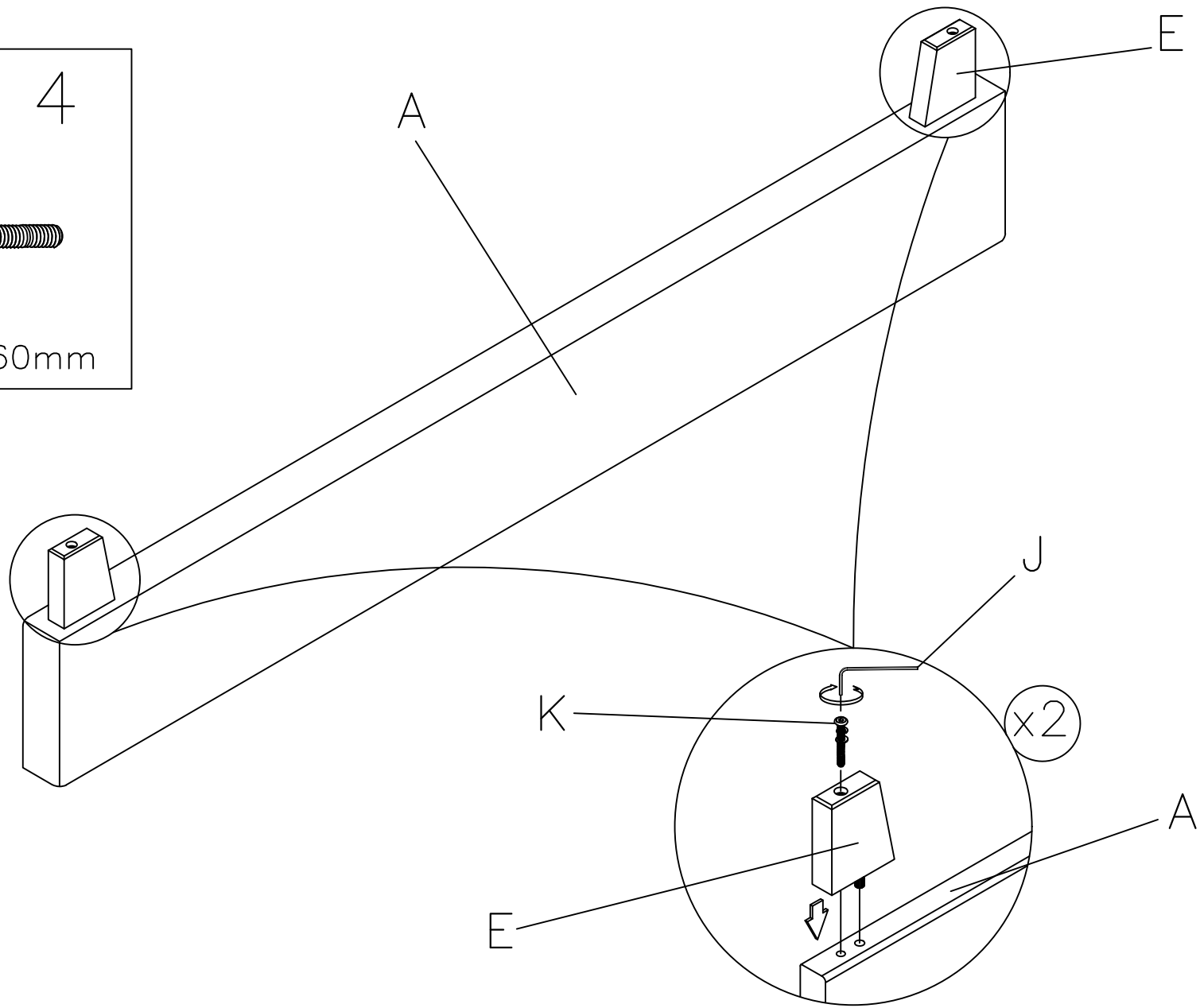
ACTON-QUEEN-KING

STEP 1:

K x 4



ø5/16"x60mm

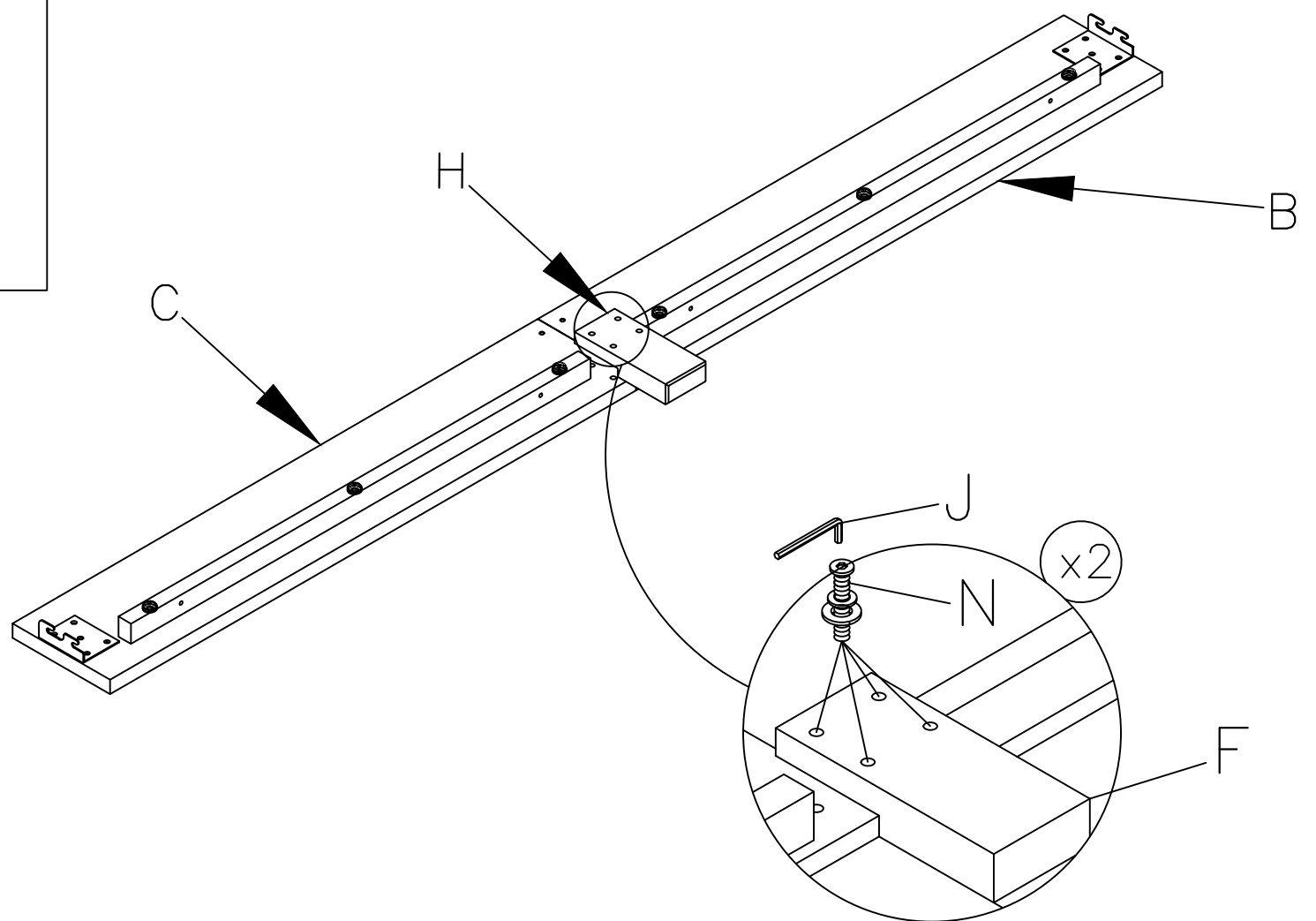


STEP 2:

N x 8

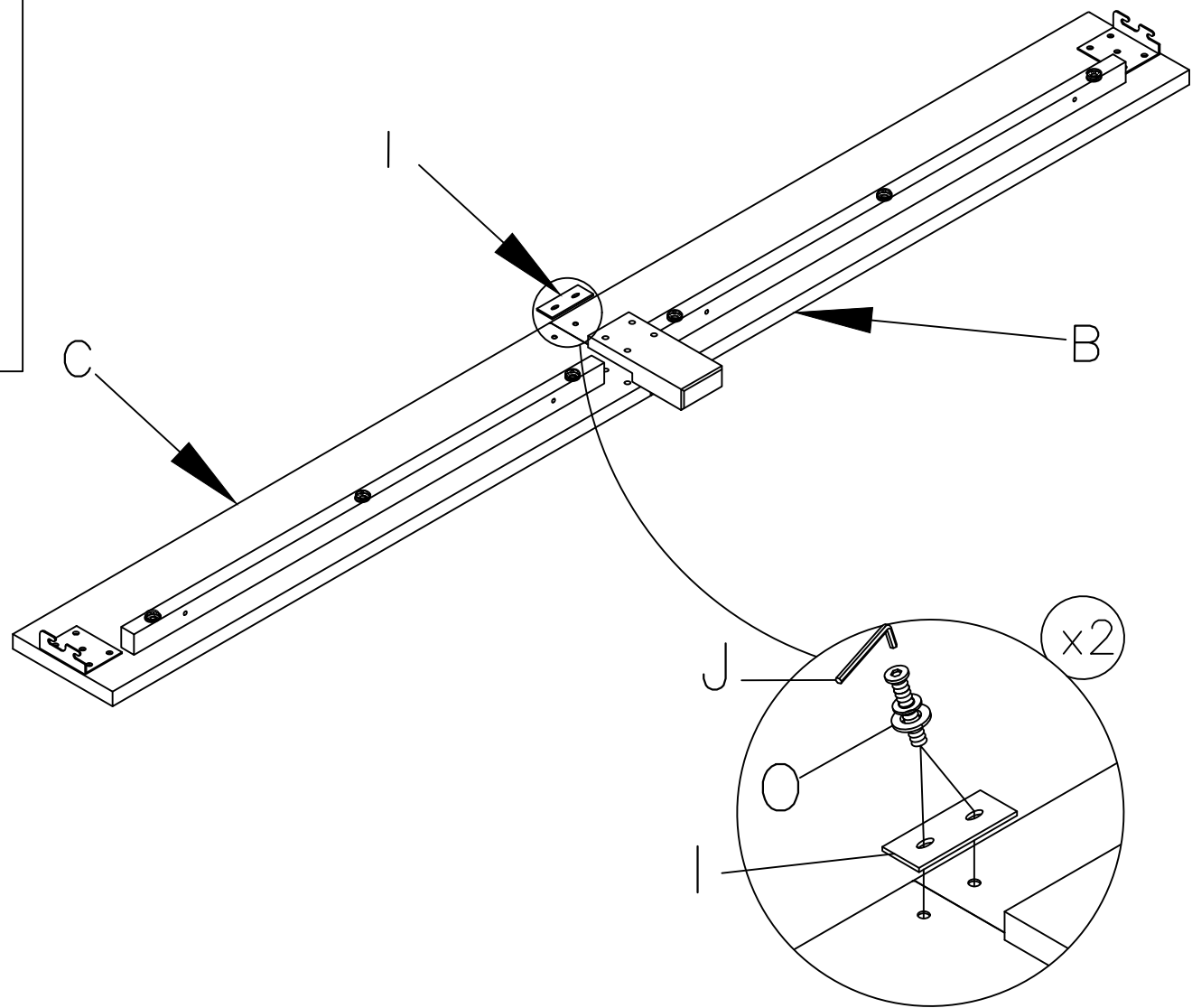
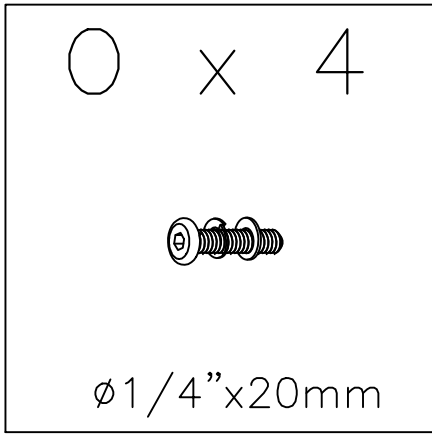


ø1/4"x35mm

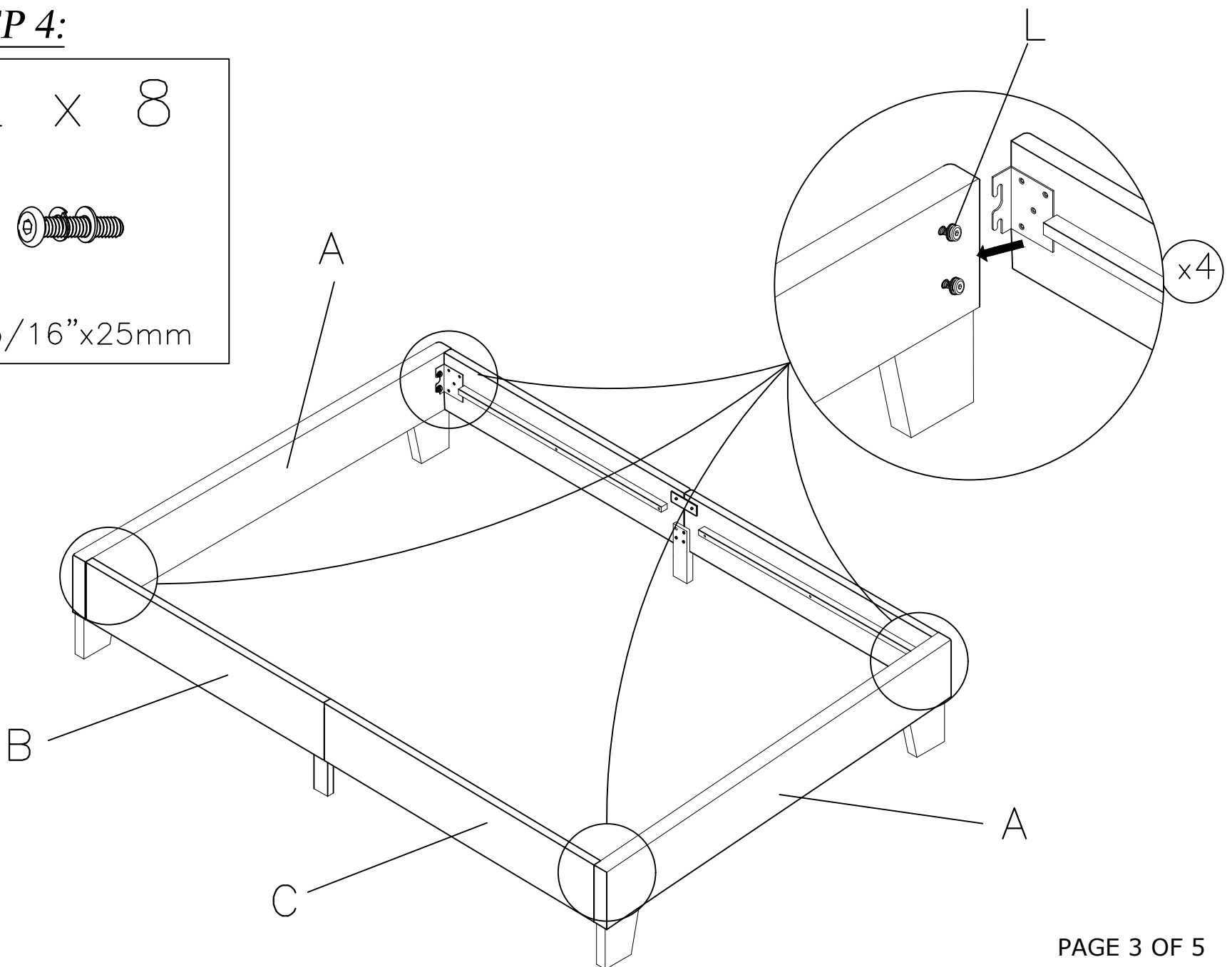
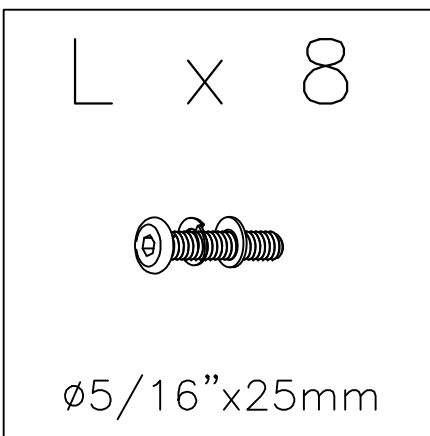


ACTON—QUEEN—KING

STEP 3:

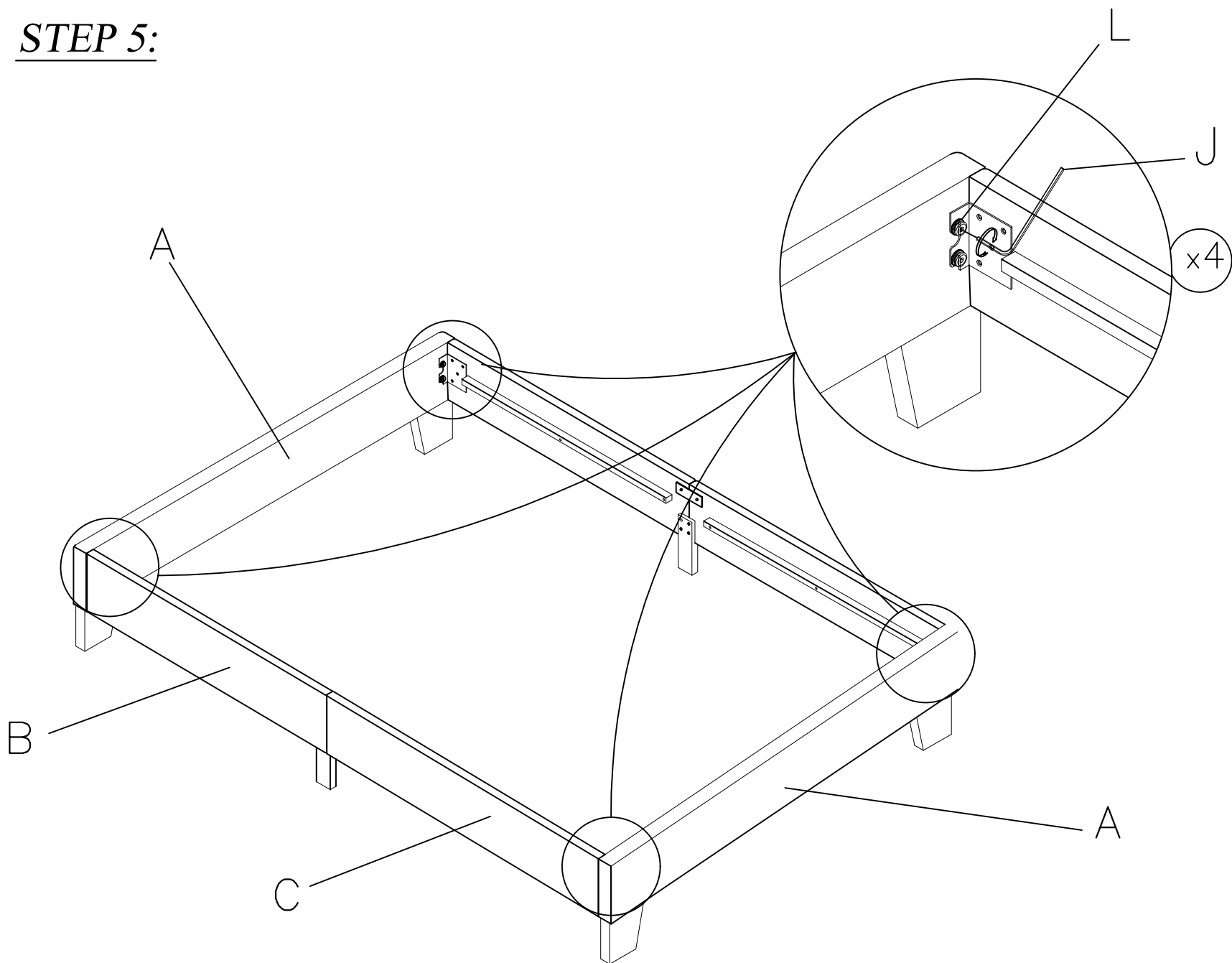


STEP 4:



ACTON—QUEEN—KING

STEP 5:



STEP 6:

