

CAMDEN ISLE

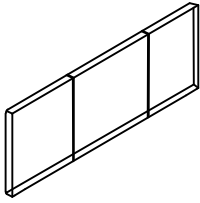
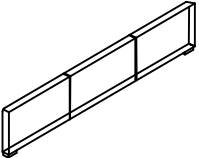
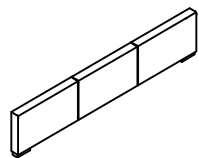
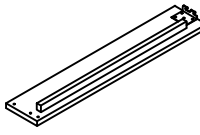
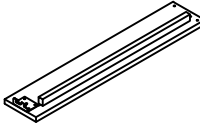
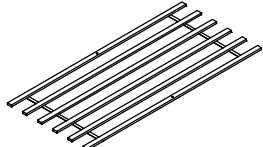
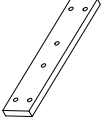
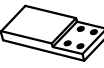
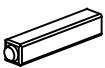
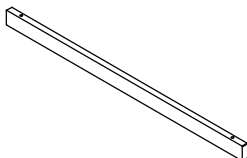
***WE HOPE YOU ENJOY
YOUR NEW BED.***

Have A Question? 
Need Assistance? 

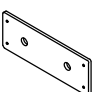






CONTACT US AT
support@camdenisle.com

ABBHEY-TWIN-FULL-QUEEN-KING

PART LIST:

<p>A x 1</p> 	<p>B x 1</p> 	<p>C x 1</p> 	<p>D x 2</p> 
<p>E x 2</p> 	<p>F x 2</p> 	<p>H x 2</p> 	<p>G x 2</p> 
<p>I x 4</p> 	<p>J x 2</p> 		

HARDWARE LIST:

<p>K x 2</p> 	<p>L x 1</p>  <p>(M4)</p>	<p>M x 12</p>  <p>ø5/16"x40mm</p>	<p>N x 8</p>  <p>ø5/16"x25mm</p>
<p>O x 4</p>  <p>ø1/4"x80mm</p>	<p>P x 8</p>  <p>ø1/4"x35mm</p>	<p>Q x 4</p>  <p>ø1/4"x20mm</p>	

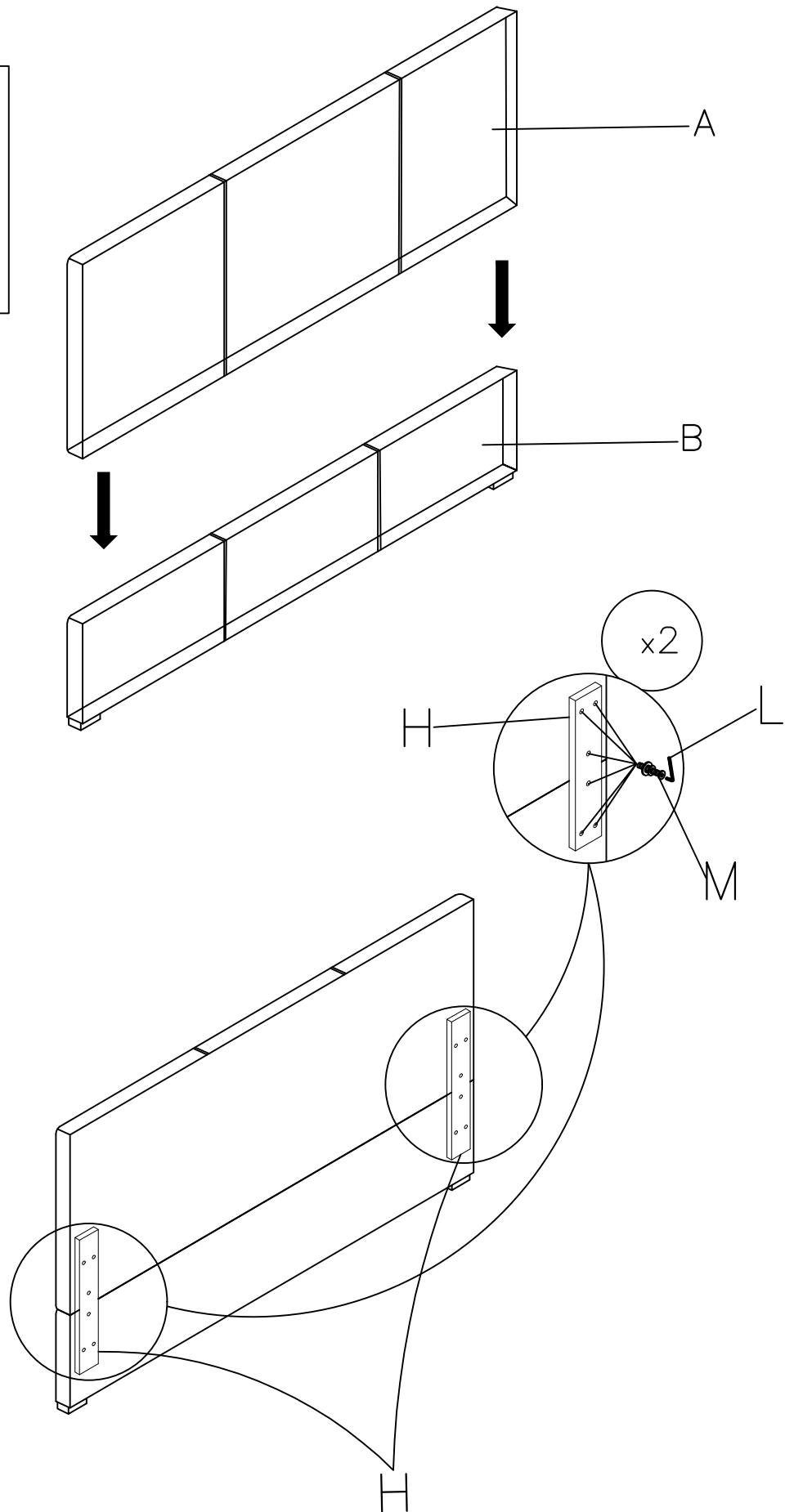
ABBHEY-TWIN-FULL-QUEEN-KING

STEP 1:

M x 12



ø5/16"x40mm



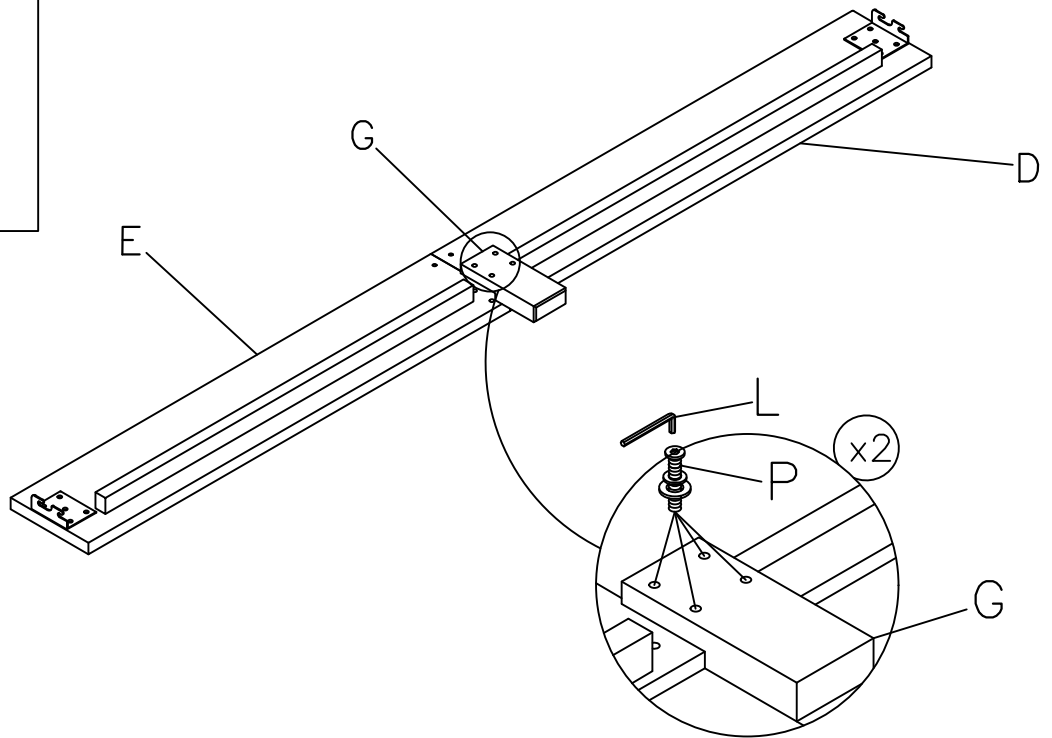
ABBHEY-TWIN-FULL-QUEEN-KING

STEP 2:

P x 8



ø1/4"x35mm

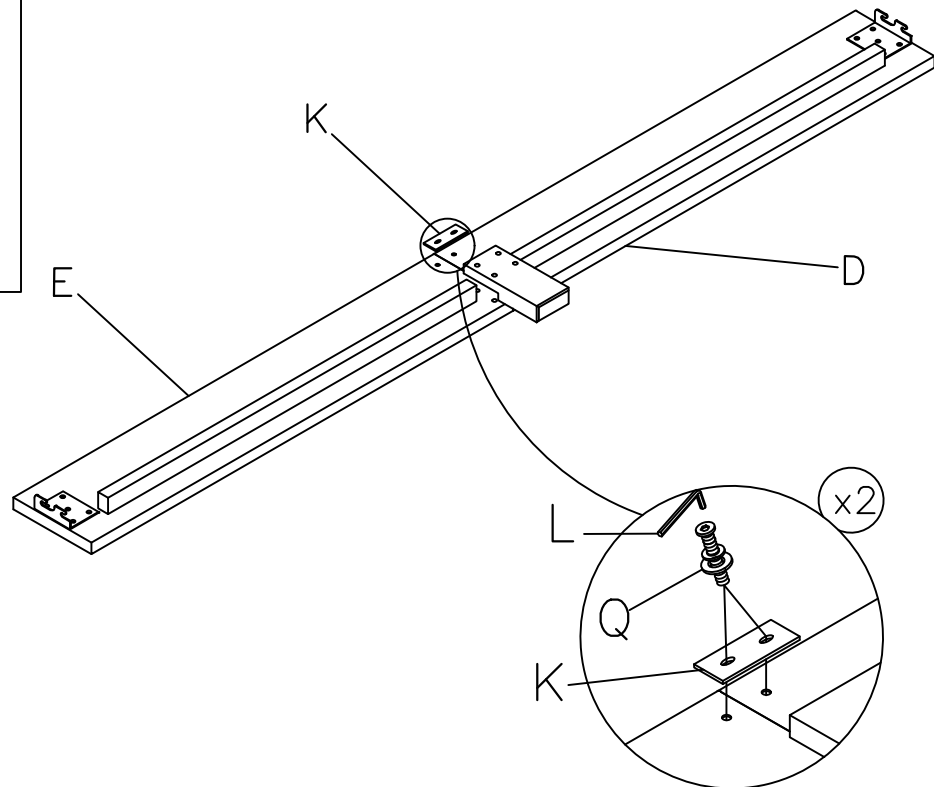


STEP 3:

Q x 4



ø1/4"x20mm



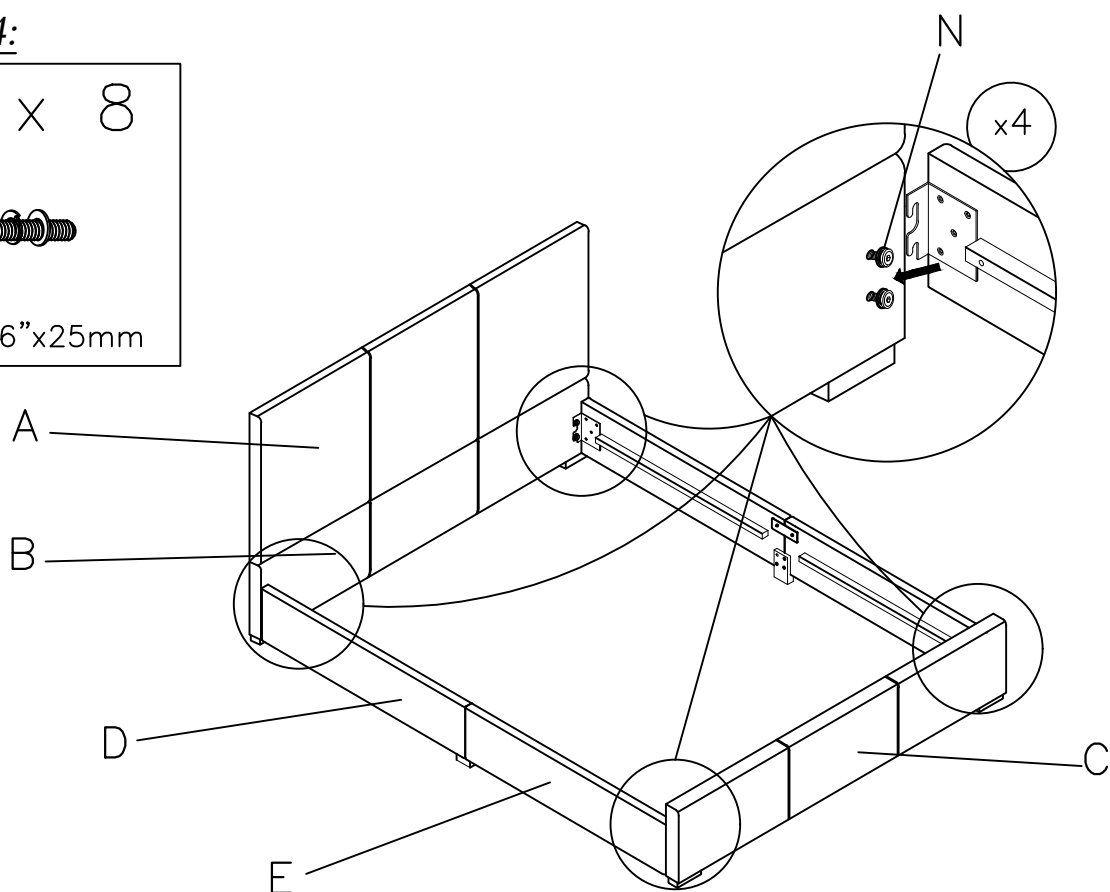
ABBHEY-TWIN-FULL-QUEEN-KING

STEP 4:

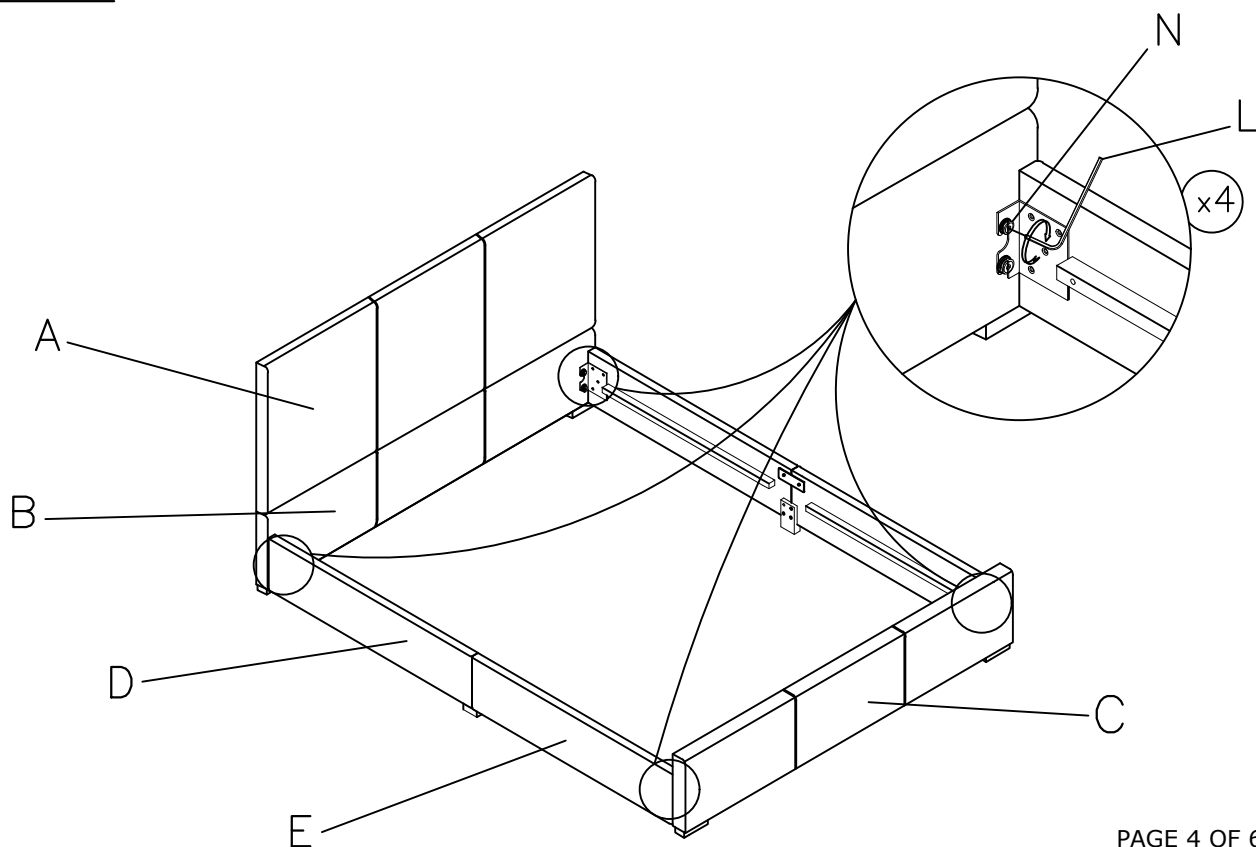
N x 8



ø5/16"x25mm

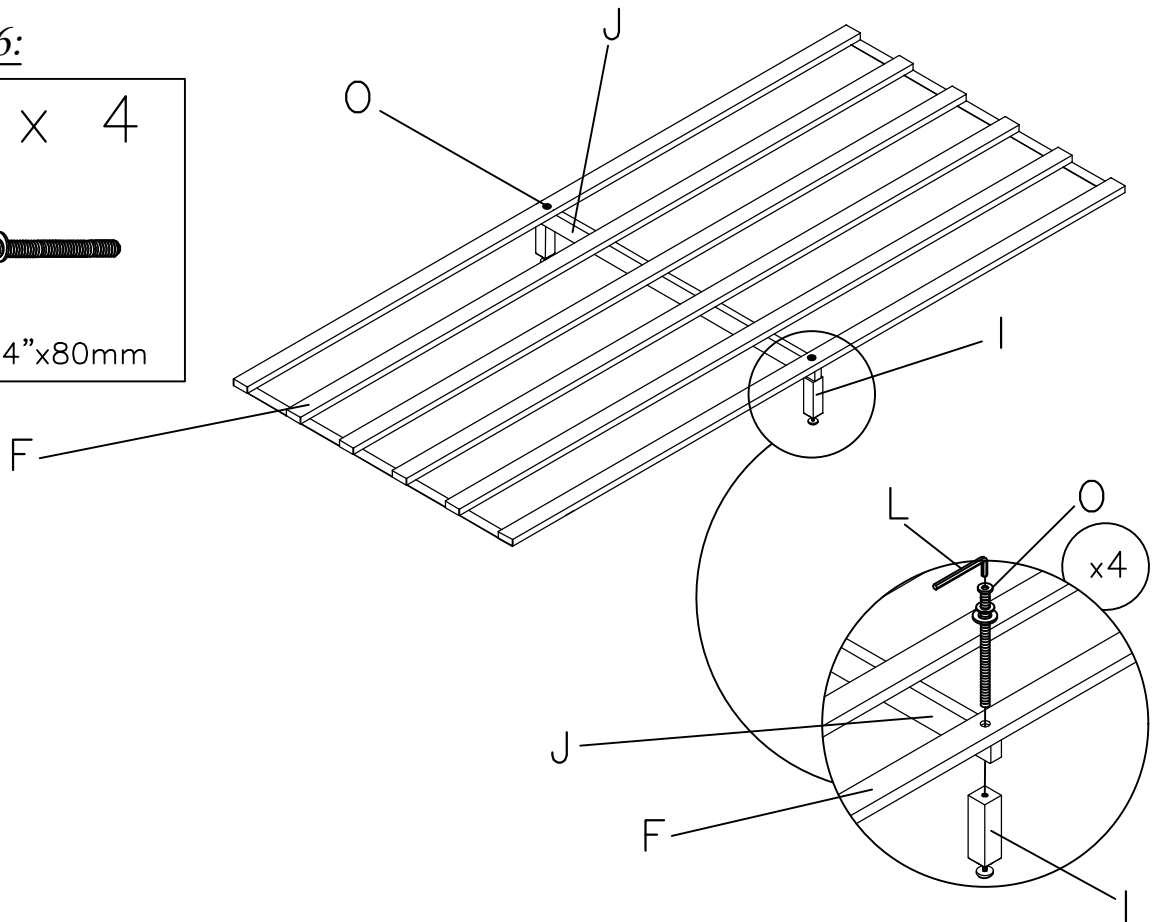
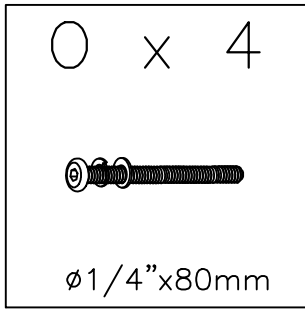


STEP 5:

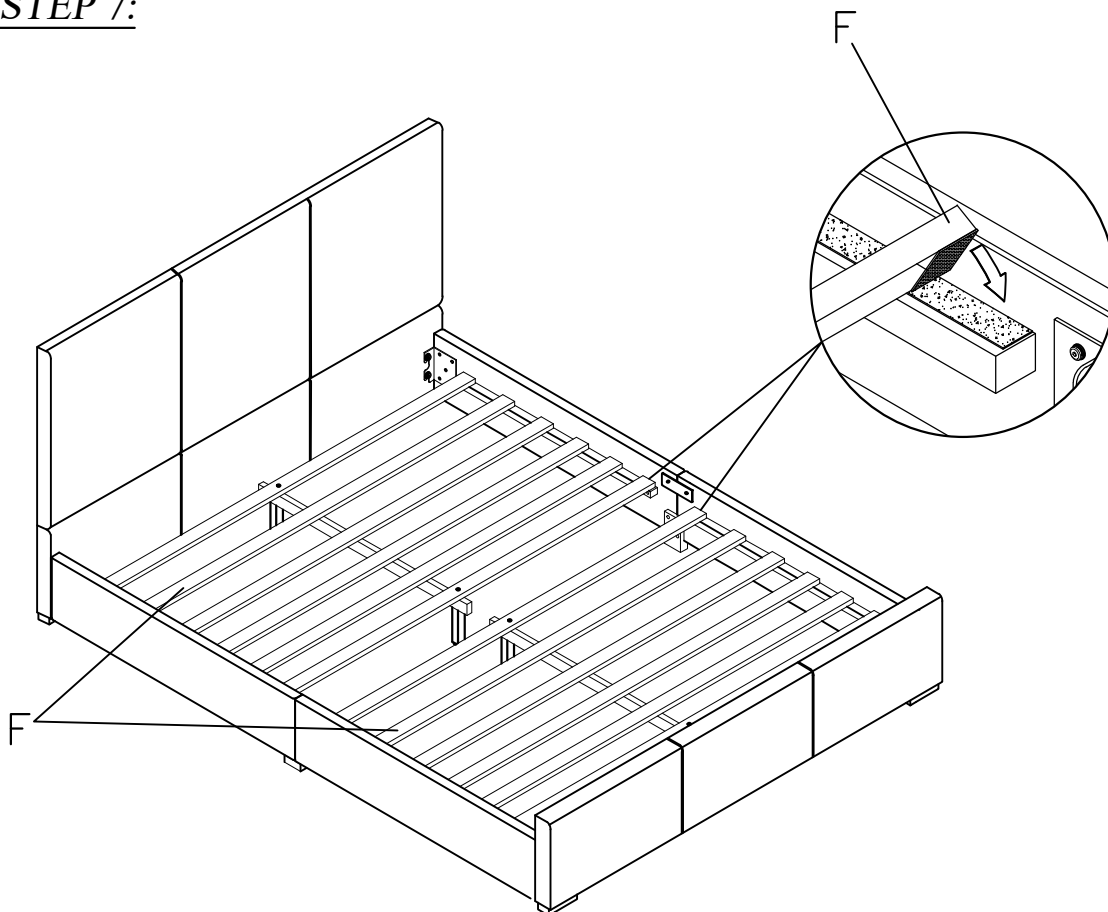


ABBHEY-TWIN-FULL-QUEEN-KING

STEP 6:



STEP 7:



ABBEY—TWIN—FULL—QUEEN—KING

