

ASSEMBLY INSTRUCTIONS

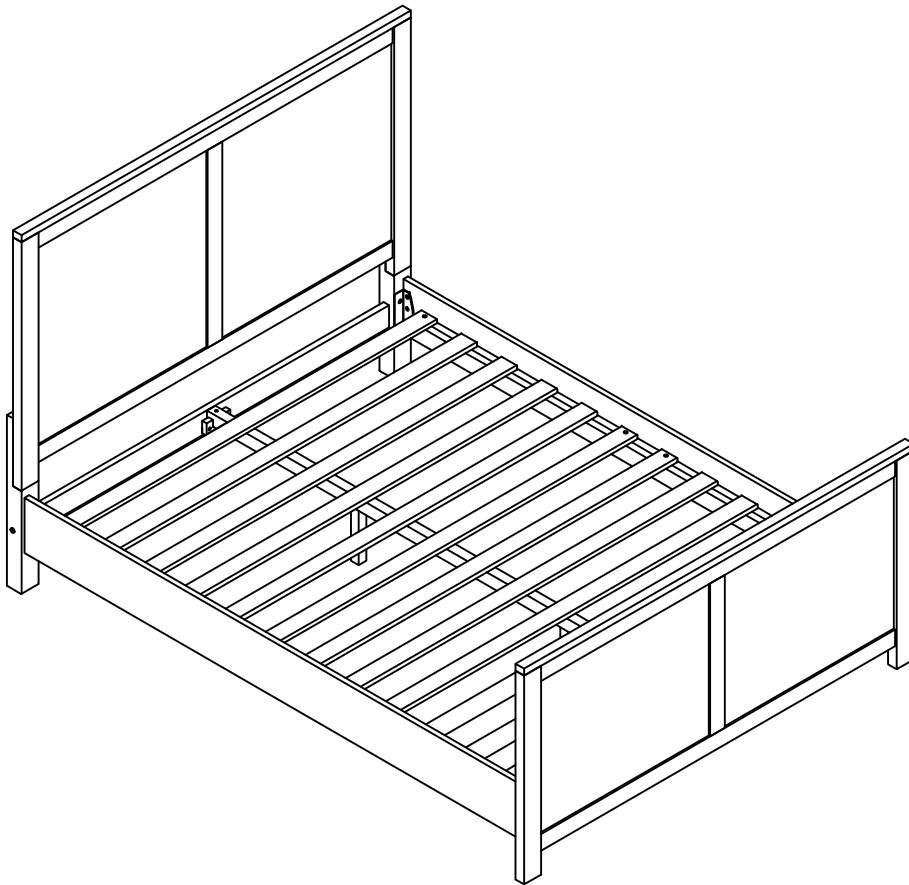
FULL-QUEEN-KING BED

READ this sheet prior to assembly to familiarize yourself with the various stages of construction. Carefully open the carton and check that you have all of the hardware and parts listed on the assembly instructions. Do not destroy any of the packaging until this has been confirmed.

CAUTION: There are small components used in the construction of this unit. These loose items should be kept away from young children while assembling your unit to avoid the danger of choking hazards.

INFORMATION:

- Due to the size of this product we recommend that it is assembled in the room intended for use.
 - Check that all screws and bolts are tightened and inspect regularly.
 - Make sure the support legs remain in contact with the ground at all times.
 - DONOT use power tools to construct this product.
 - DONOT over tighten the screws or bolts.
 - DONOT tighten screws until the product is fully assembled
- Please retain these instruction for future reference



ASSEMBLY INSTRUCTIONS FULL-QUEEN-KING BED

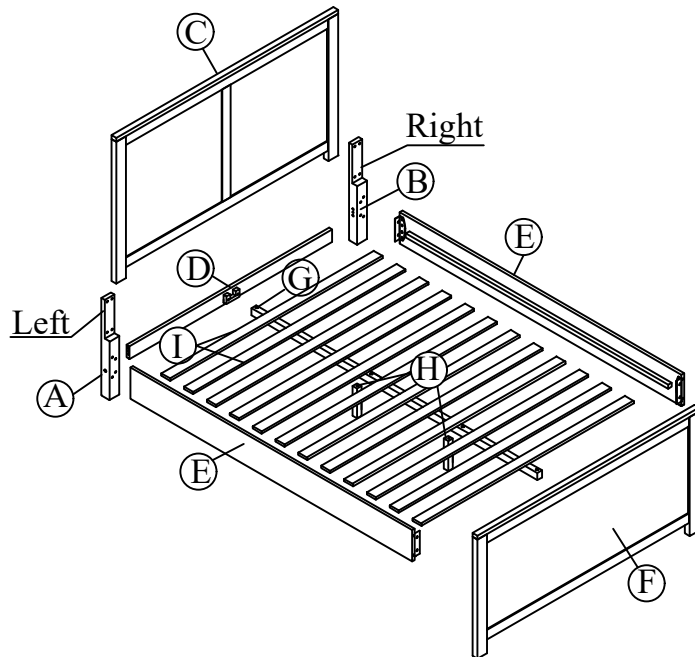
Before starting to assemble, please check that all parts and hardware are included in the box.

If there are any issues with missing or damaged parts and/or hardware please contact Camden Isle by sending an email to support@camdenisle.com

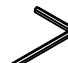






Please do not tighten the screws until the assembly is complete

We hope you enjoy your new product. Thank you for your purchase.

Part List & illustration






Hardware & illustration

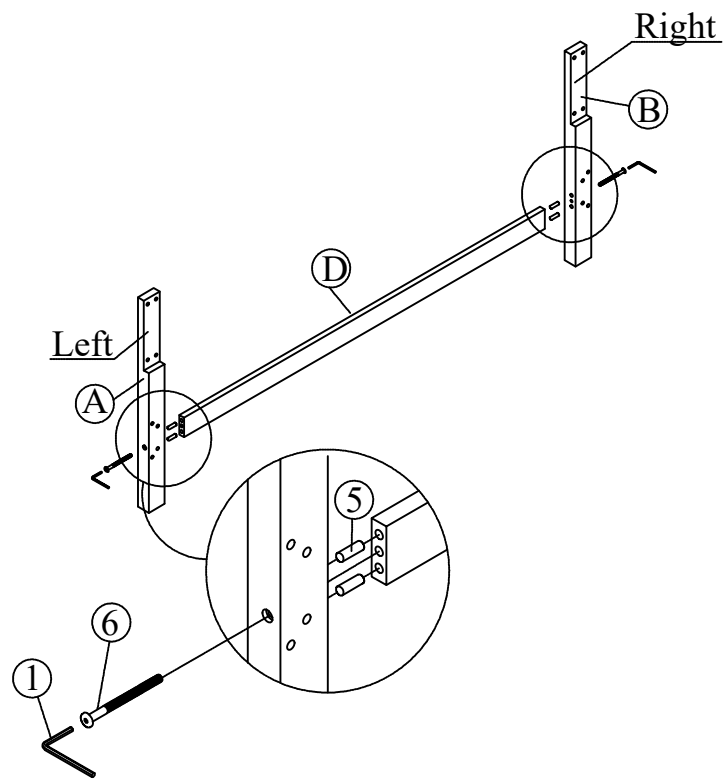
No	Description	Qty
1	 Allen Key	1pc
2	 Ø1/4" x 15mm	8pcs
3	 4 x 30mm	10pcs
4	 Ø1/4" x 35mm	8pcs
5	 Ø10 x 40mm	12pcs
6	 Ø1/4" x 70mm	2pcs
7	 Ø1/4" x 45mm	2pcs

Part List & illustration

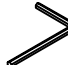

A	B	C	D	E	F	G	H	I
1pc	1pc	1pc	1pc	2pcs	1pc	1pc	2pcs	12pcs

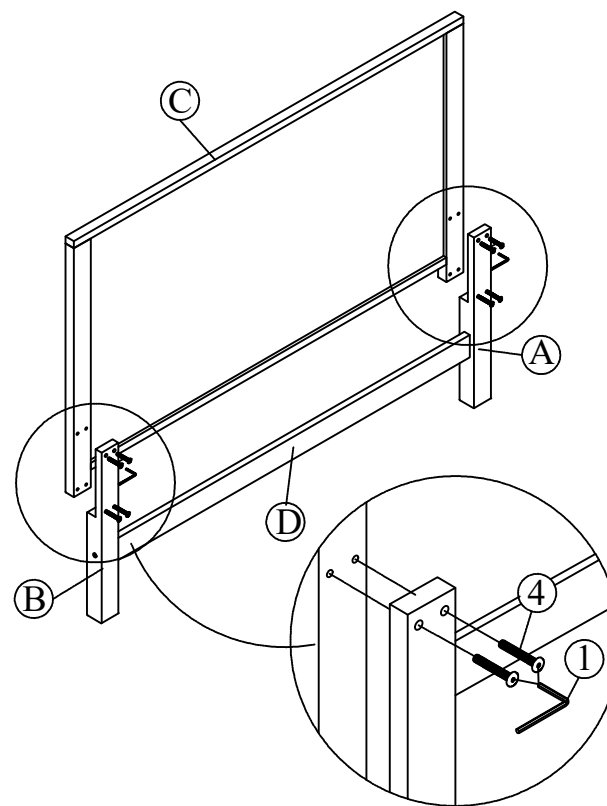
STEP 1

No	Description	Qty
1	 Allen Key	1pc
5	 Ø10 x 40mm	4pcs
6	 Ø1/4" x 70mm	2pcs

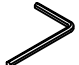




STEP 2

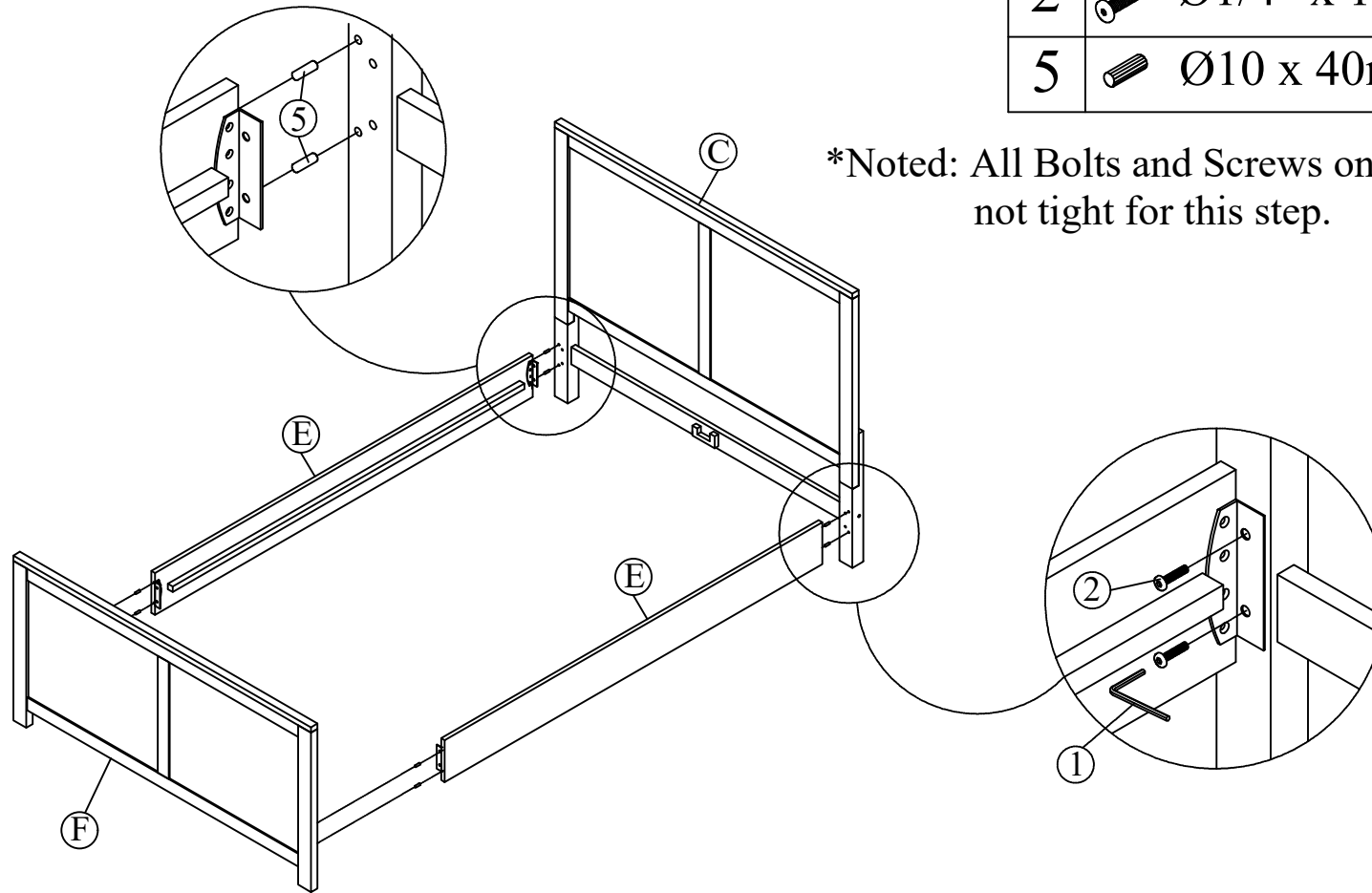
No	Description	Qty
1	 Allen Key	1pc
4	 Ø1/4" x 35mm	8pcs



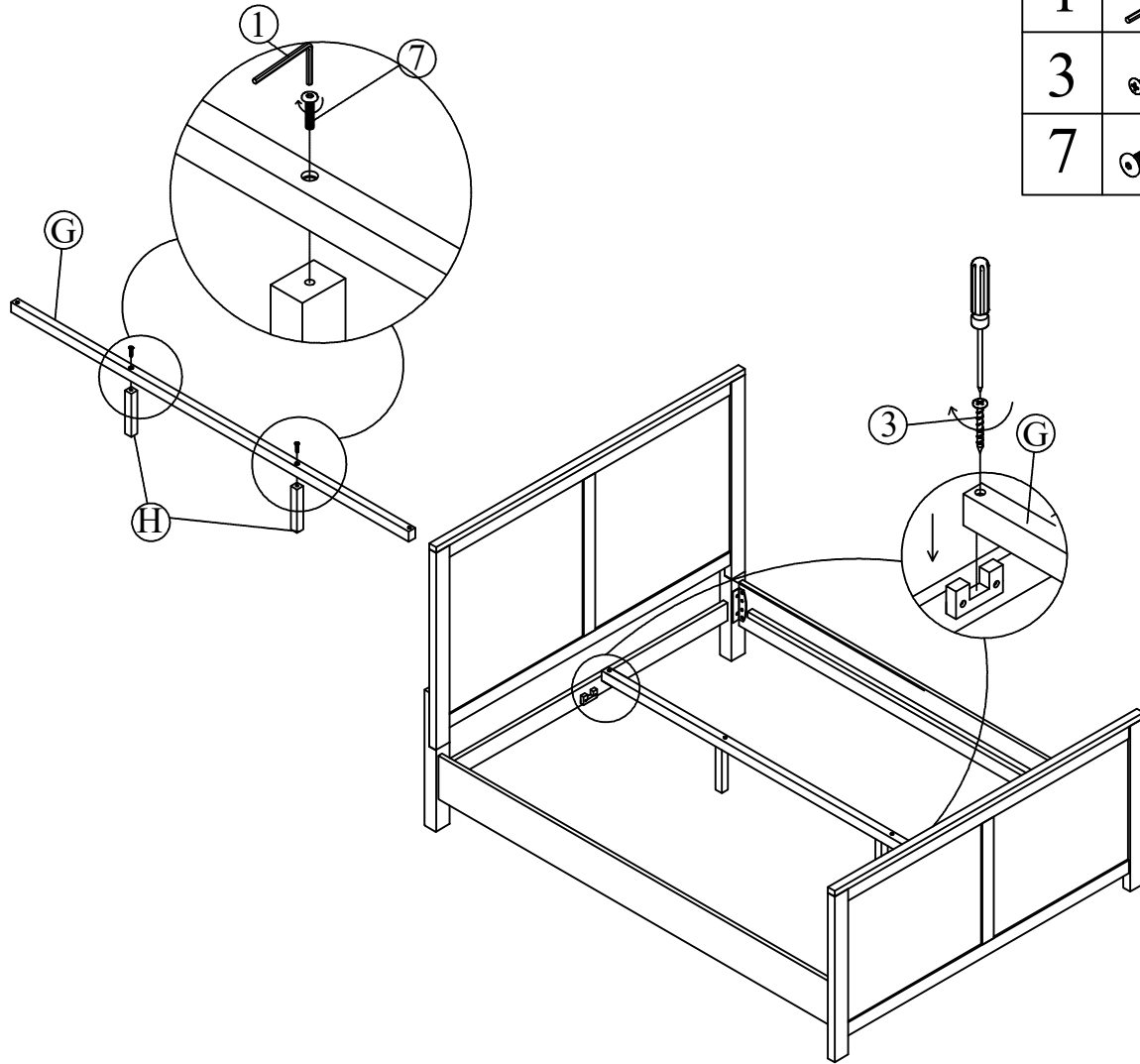
STEP 3

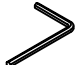


No	Description	Qty
1	 Allen Key	1pc
2	 Ø1/4" x 15mm	8pcs
5	 Ø10 x 40mm	8pcs

*Noted: All Bolts and Screws only Assembly, not tight for this step.




STEP 4



No	Description	Qty
1	 Allen Key	1pc
3	 4 x 30mm	2pcs
7	 Ø1/4" x 45mm	2pcs

STEP 5

*Noted: After finished assembly,
tight All Bolts and Screws.

No	Description	Qty
3	 4 x 30mm	8pcs

