

ASSEMBLY INSTRUCTIONS

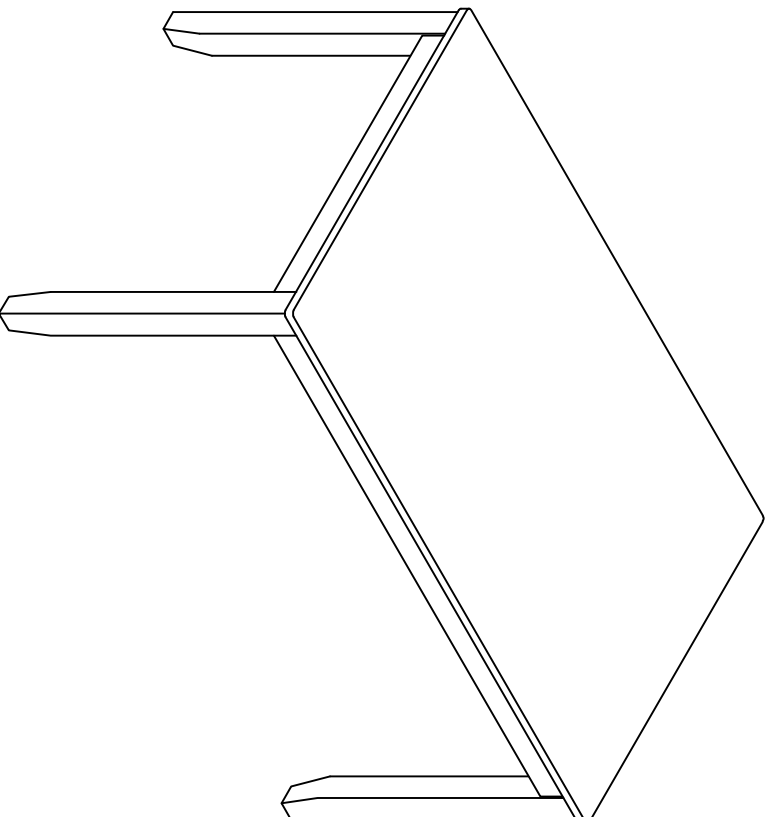
DINING TABLE

READ this sheet prior to assembly to familiarise yourself with the various stage of construction. Carefully open the pack supplied and check the contents against the parts and fitting check list. Do not destroy any of the packing until you are certain that you have all the necessary part for the assembly.

CAUTION: There are small components used in the construction of this unit. These loose items should kept away from young children whilst assembling your unit to avoid the danger of choking hazards.

INFORMATION:

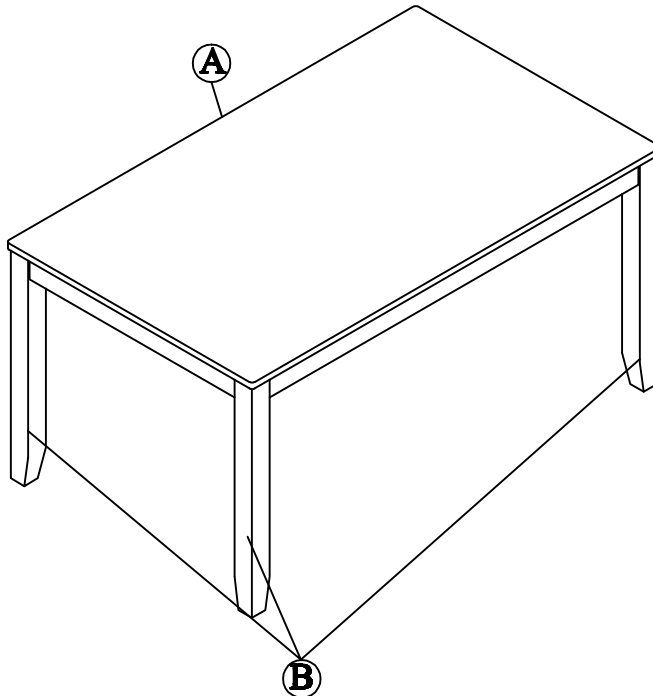
- Due to the size of this product we recommend that it is assembled in the room intended for use.
 - Check all screws or bolts are tightened and inspect regularly.
 - Make sure the support legs remain in contact with the ground at all times.
 - DONOT** use power tools to construct this product.
 - DONOT** over tighten the screws or bolts.
 - DONOT** tighten screws until the product is fully assembled
- Please retain these instruction for future reference





ASSEMBLY INSTRUCTIONS DINING TABLE

Before starting assemble, please check all parts and hardware packed in carton to make sure all of thoses are completely included in the box. If any part(s) or hardware (s) are missing or damage, please contact your nearest furniture dealer for replace.
*Please do not tighten the bolts or screw before completed last step.

Part List & illustration





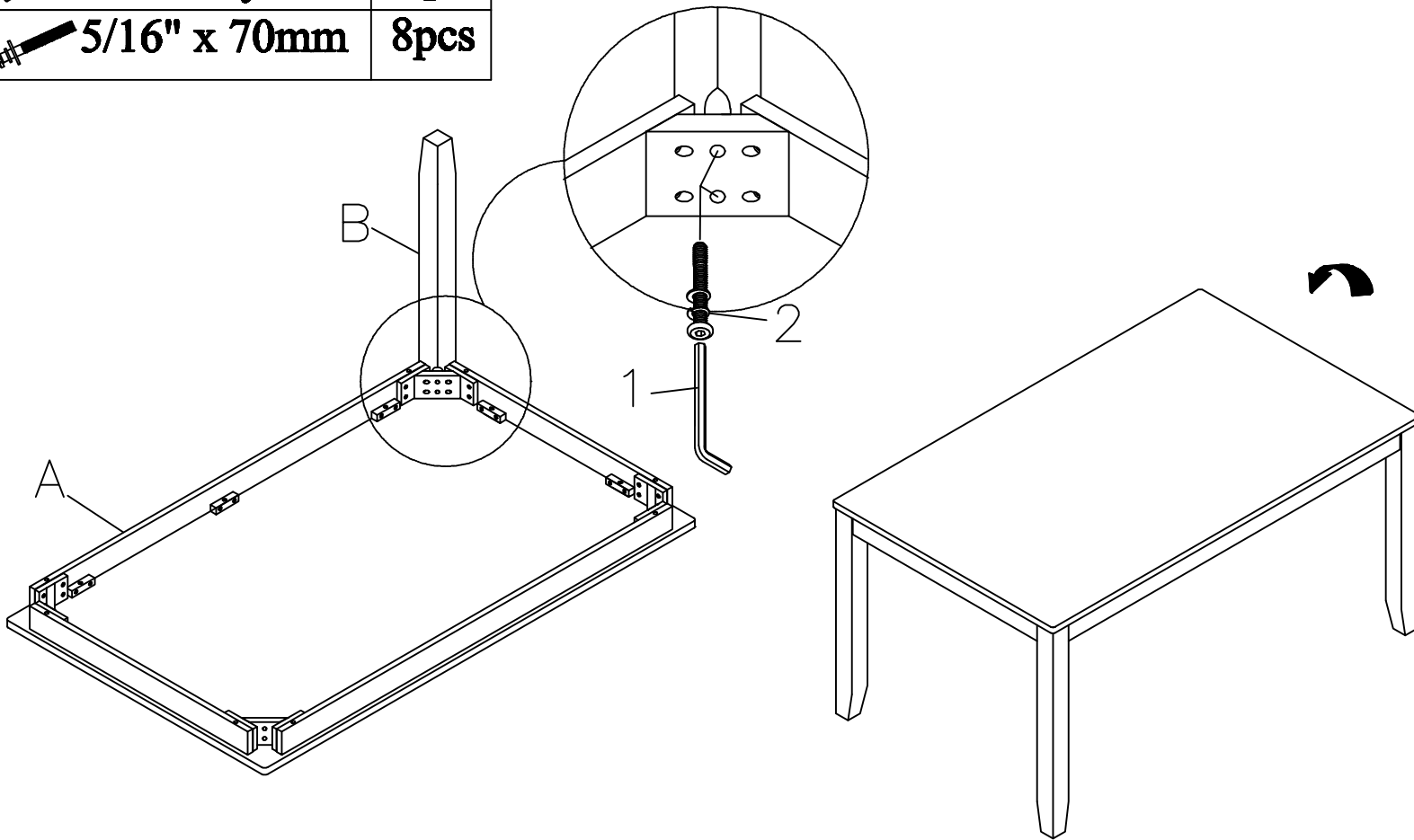
Hardware & illustration

No	Description	Qty
1	 Allen Key	1pc
2	 5/16" x 70mm	8pcs

Part List & illustration

A	B
1pc	4pcs

No	Description	Qty
1	 Allen Key	1pc
2	 5/16" x 70mm	8pcs



ASSEMBLY INSTRUCTIONS

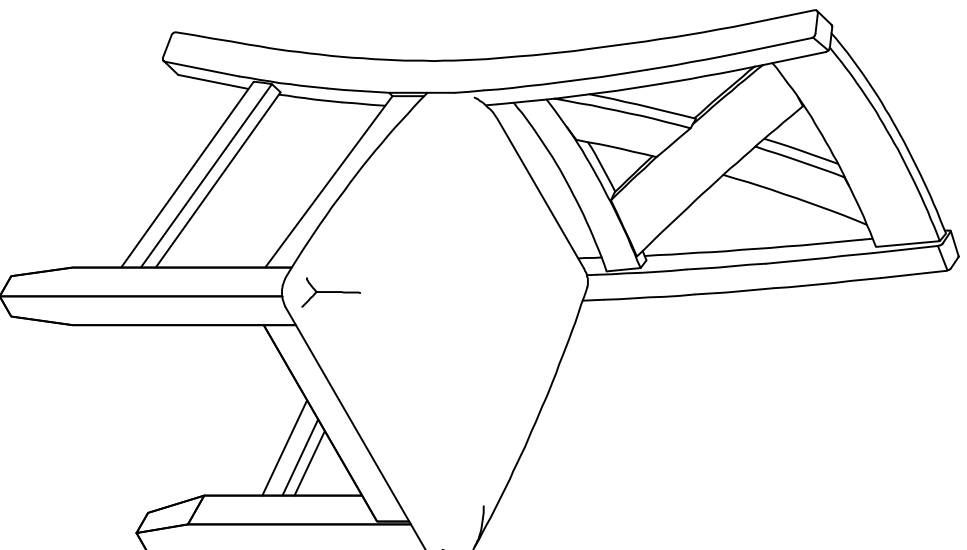
DINING CHAIR

READ this sheet prior to assembly to familiarise yourself with the various stage of construction. Carefully open the pack supplied and check the contents against the parts and fitting check list. Do not destroy any of the packing until you are certain that you have all the necessary part for the assembly.

CAUTION: There are small components used in the construction of this unit. These loose items should kept away from young children whilst assembling your unit to avoid the danger of choking hazards.

INFORMATION:

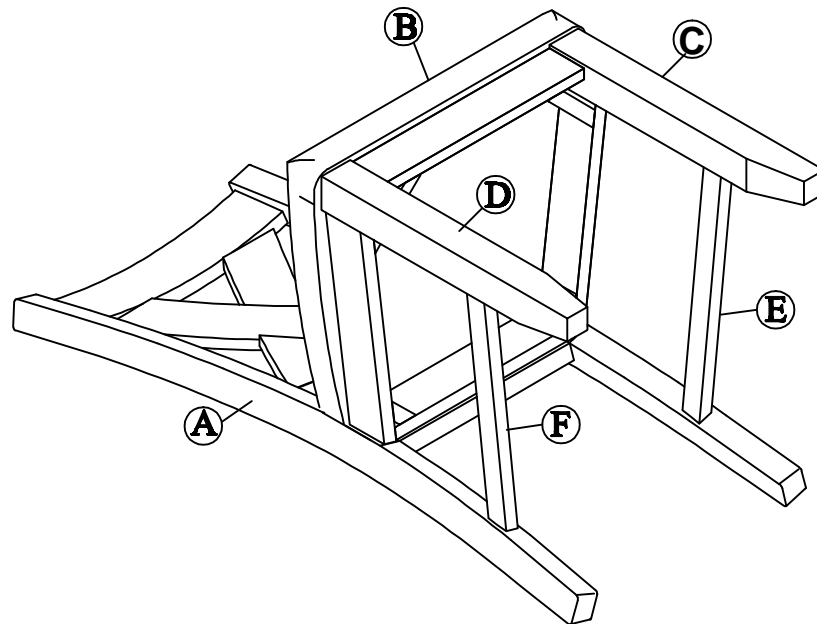
- Due to the size of this product we recommend that it is assembled in the room intended for use.
 - Check all screws or bolts are tightened and inspect regularly.
 - Make sure the support legs remain in contact with the ground at all times.
 - DONOT** use power tools to construct this product.
 - DONOT** over tighten the screws or bolts.
 - DONOT** tighten screws until the product is fully assembled
- Please retain these instruction for future reference








ASSEMBLY INSTRUCTIONS DINING CHAIR

Before starting assemble, please check all parts and hardware packed in carton to make sure all of those are completely included in the box. If any part(s) or hardware (s) are missing or damage, please contact your nearest furniture dealer for replace.
*Please do not tighten the bolts or screw before completed last step.

Part List & illustration





Hardware & illustration

No	Description	Qty
1	 Allen Key	1pc
2	 Ø1/4" x 35mm	3pcs
3	 Ø1/4" x 83mm	4pcs
4	 Ø1/4" x 53mm	4pcs
5	 #4 x 40mm	4pcs

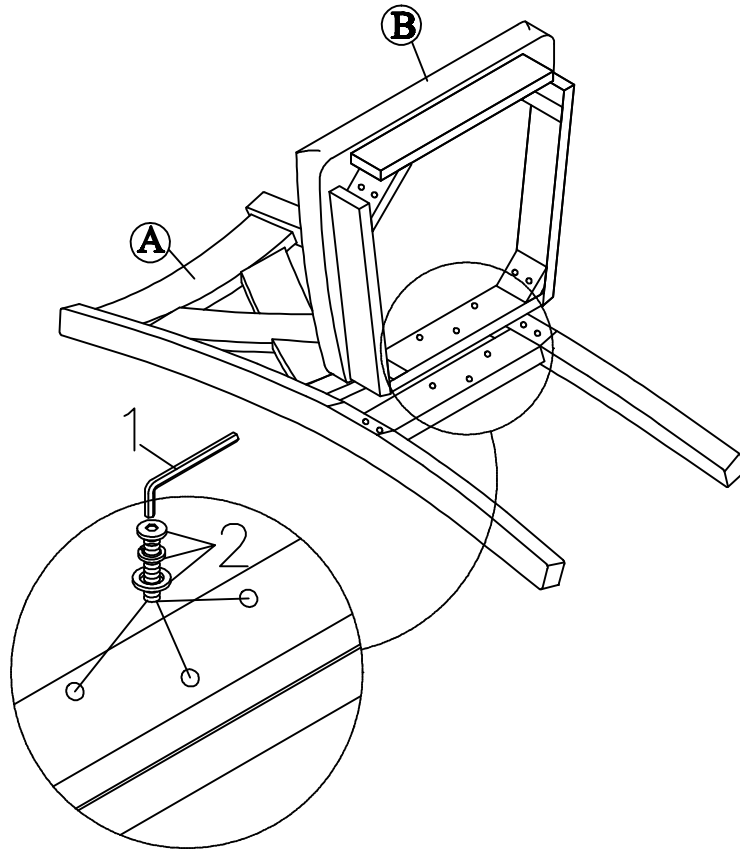
Part List & illustration


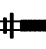
A	B	C	D	E	F
1pc	1pc	1pc	1pc	1pc	1pc

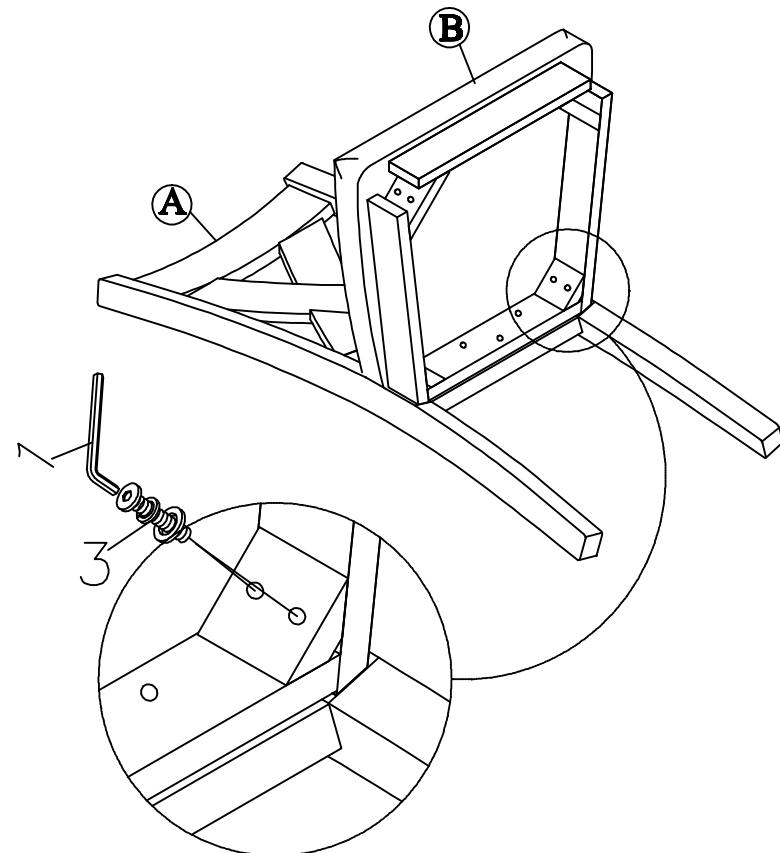
STEP 1

No	Description	Qty
1	 Allen Key	1pc
2	 Ø1/4" x 35mm	3pcs

***Noted: All Bolts and Screws only Assembly, not tight for this step.**


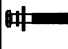

**STEP 2**

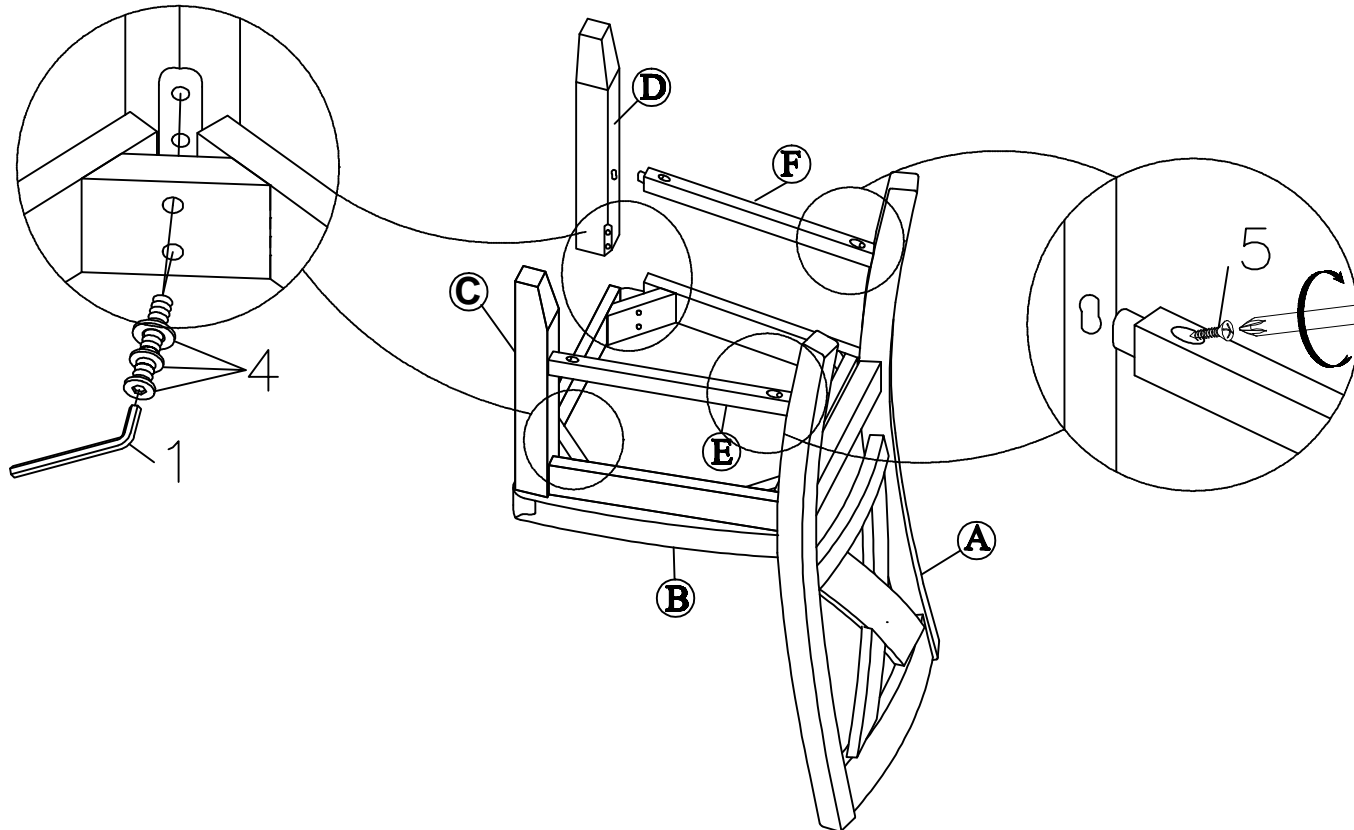
No	Description	Qty
1	 Allen Key	1pc
3	 Ø1/4" x 83mm	4pcs



STEP 3

***Noted: After finished assembly,
tight All Bolts and Screws.**

No	Description	Qty
1	 Allen Key	1pc
4	 Ø1/4" x 53mm	4pcs
5	 #4 x 40mm	4pcs



ASSEMBLY INSTRUCTIONS

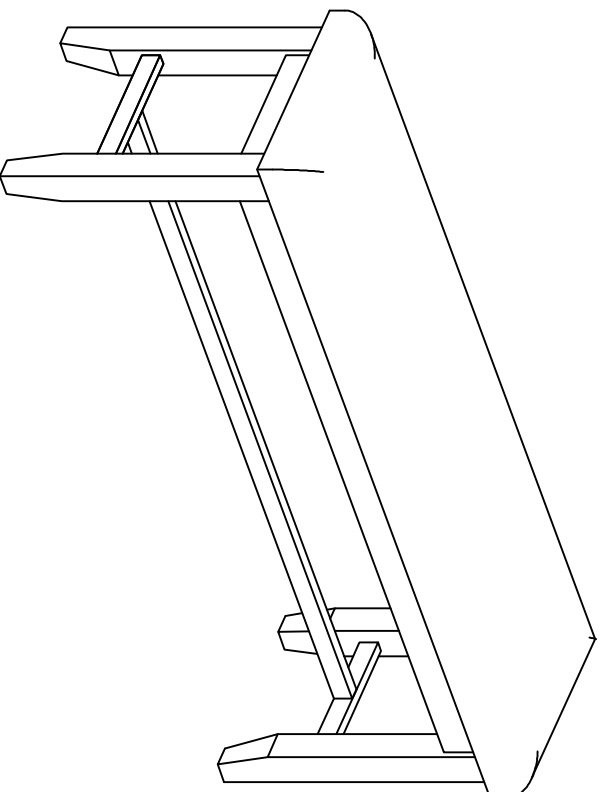
BENCH

READ this sheet prior to assembly to familiarise yourself with the various stage of construction. Carefully open the pack supplied and check the contents against the parts and fitting check list. Do not destroy any of the packing until you are certain that you have all the necessary part for the assembly.

CAUTION: There are small components used in the construction of this unit. These loose items should kept away from young children whilst assembling your unit to avoid the danger of choking hazards.

INFORMATION:

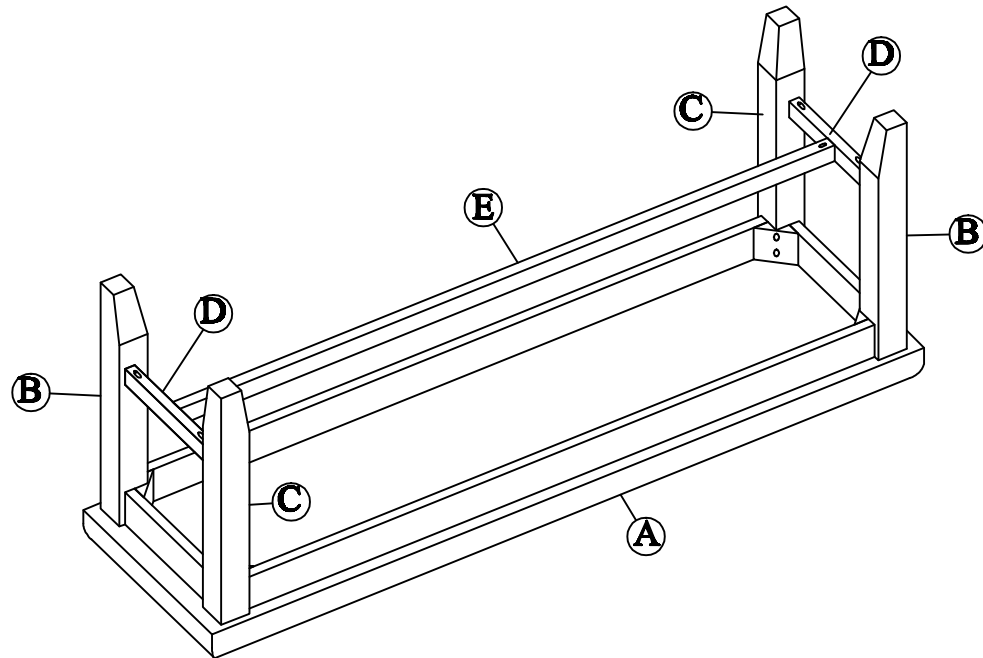
- Due to the size of this product we recommend that it is assembled in the room intended for use.
 - Check all screws or bolts are tightened and inspect regularly.
 - Make sure the support legs remain in contact with the ground at all times.
 - DONOT** use power tools to construct this product.
 - DONOT** over tighten the screws or bolts.
 - DONOT** tighten screws until the product is fully assembled
- Please retain these instruction for future reference







ASSEMBLY INSTRUCTIONS BENCH

Before starting assemble, please check all parts and hardware packed in carton to make sure all of thoses are completely included in the box. If any part(s) or hardware (s) are missing or damage, please contact your nearest furniture dealer for replace.
*Please do not tighten the bolts or screw before completed last step.

Part List & illustration



Hardware & illustration

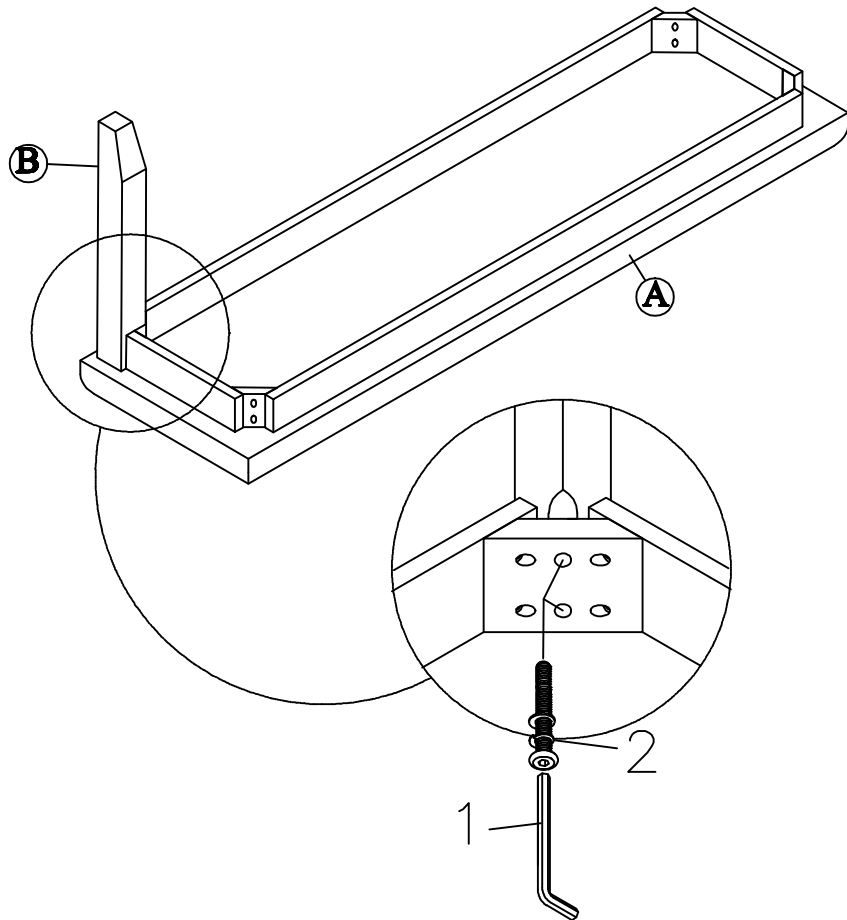
No	Description	Qty
1	 Allen Key	1pc
2	 Ø1/4" x 53mm	8pcs
3	 #4 x 40mm	4pcs
4	 #4 x 30mm	2pcs

Part List & illustration

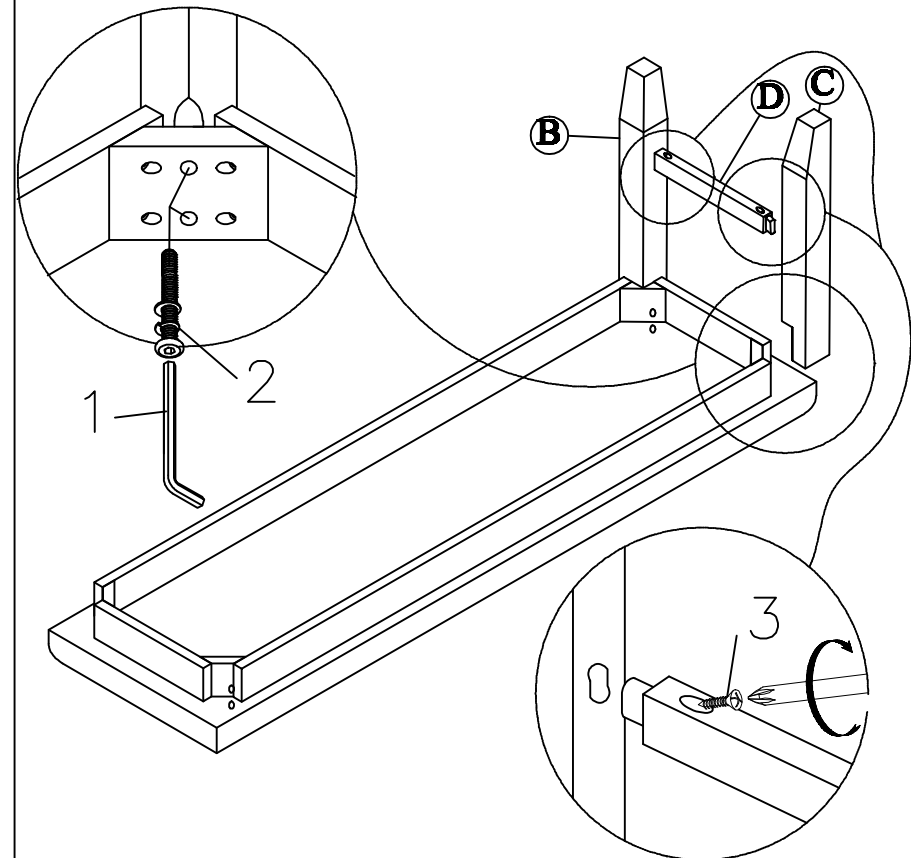
A	B	C	D	E
1pc	2pcs	2pcs	2pcs	1pc

STEP 1

No	Description	Qty
1	Allen Key	1pc
2	Ø1/4" x 53mm	2pcs

**STEP 2**

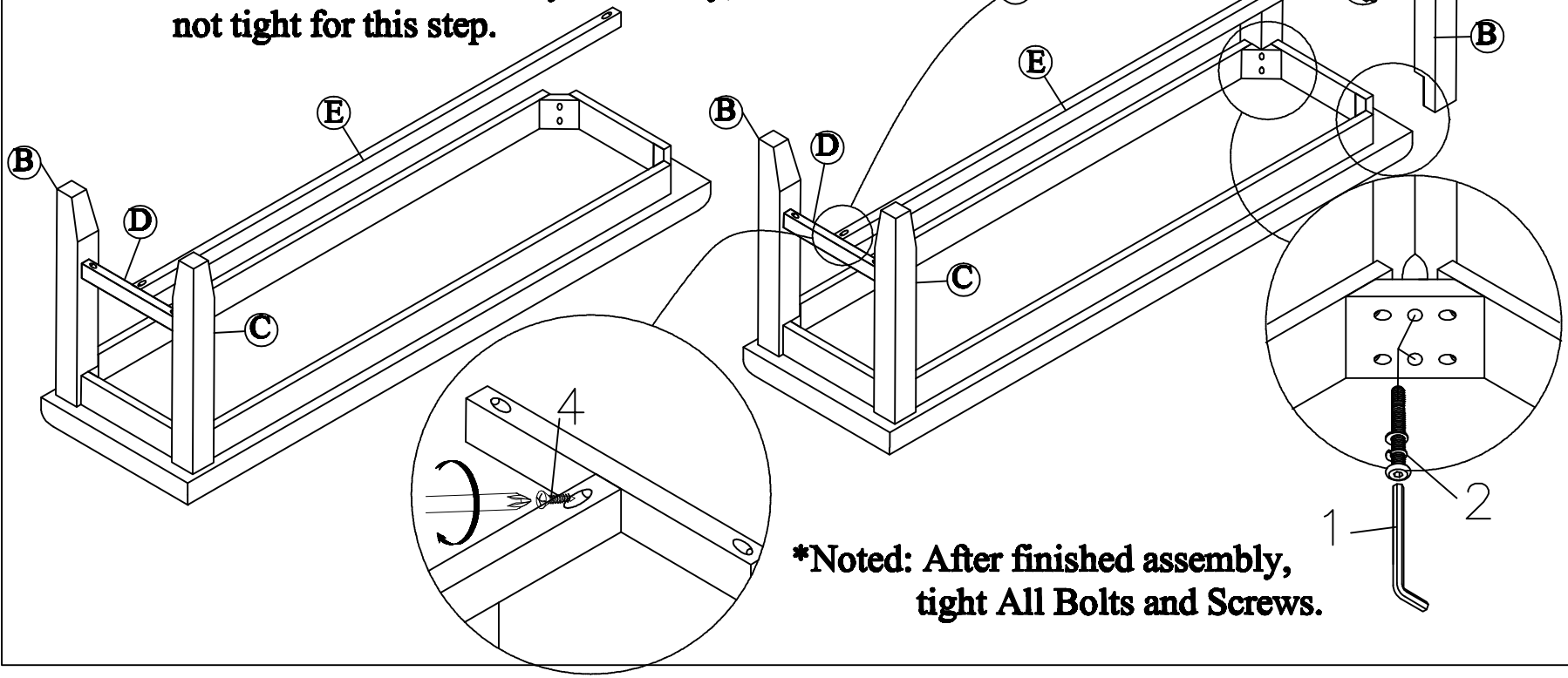
No	Description	Qty
1	Allen Key	1pc
2	Ø1/4" x 53mm	2pcs
3	#4 x 40mm	2pcs



STEP 3

No	Description	Qty
1	Allen Key	1pc
2	Ø1/4" x 53mm	4pcs
3	#4 x 40mm	2pcs
4	#4 x 30mm	2pcs

***Noted: All Bolts and Screws only Assembly, not tight for this step.**



***Noted: After finished assembly, tight All Bolts and Screws.**