

CAMDEN ISLE

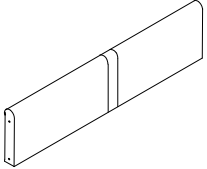
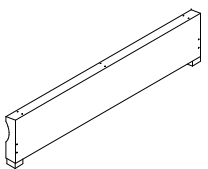
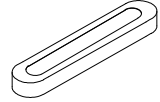
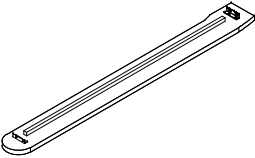
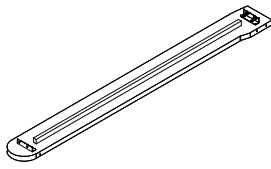
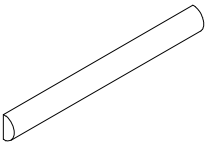
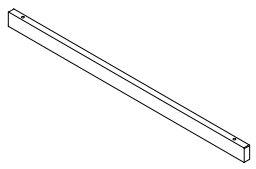
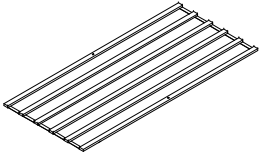
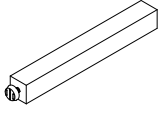

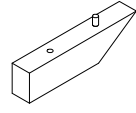
***WE HOPE YOU ENJOY
YOUR NEW BED.***

**Have A Question?
Need Assistance?**


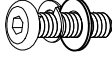

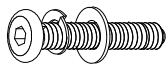

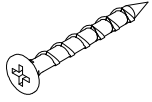
CONTACT US AT
support@camdenisle.com

CARLTON-KING-QUEEN

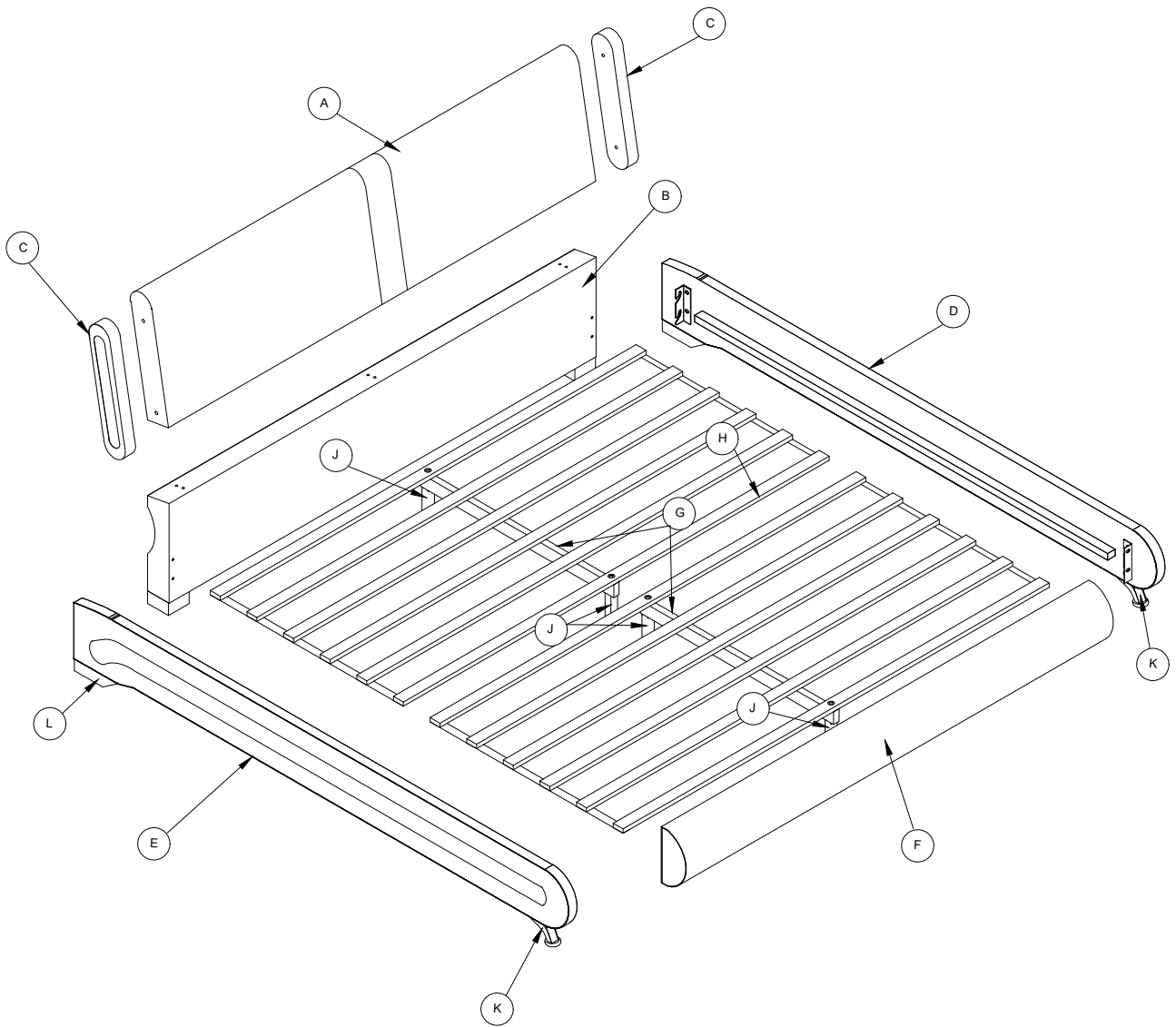
PART LIST:

<p>A x 1</p> 	<p>B x 1</p> 	<p>C x 2</p> 	<p>D x 1</p> 
<p>E x 1</p> 	<p>F x 1</p> 	<p>G x 2</p> 	<p>H x 2</p> 
<p>J x 4</p> 	<p>K x 2</p> 	<p>L x 2</p> 	

HARDWARE LIST:

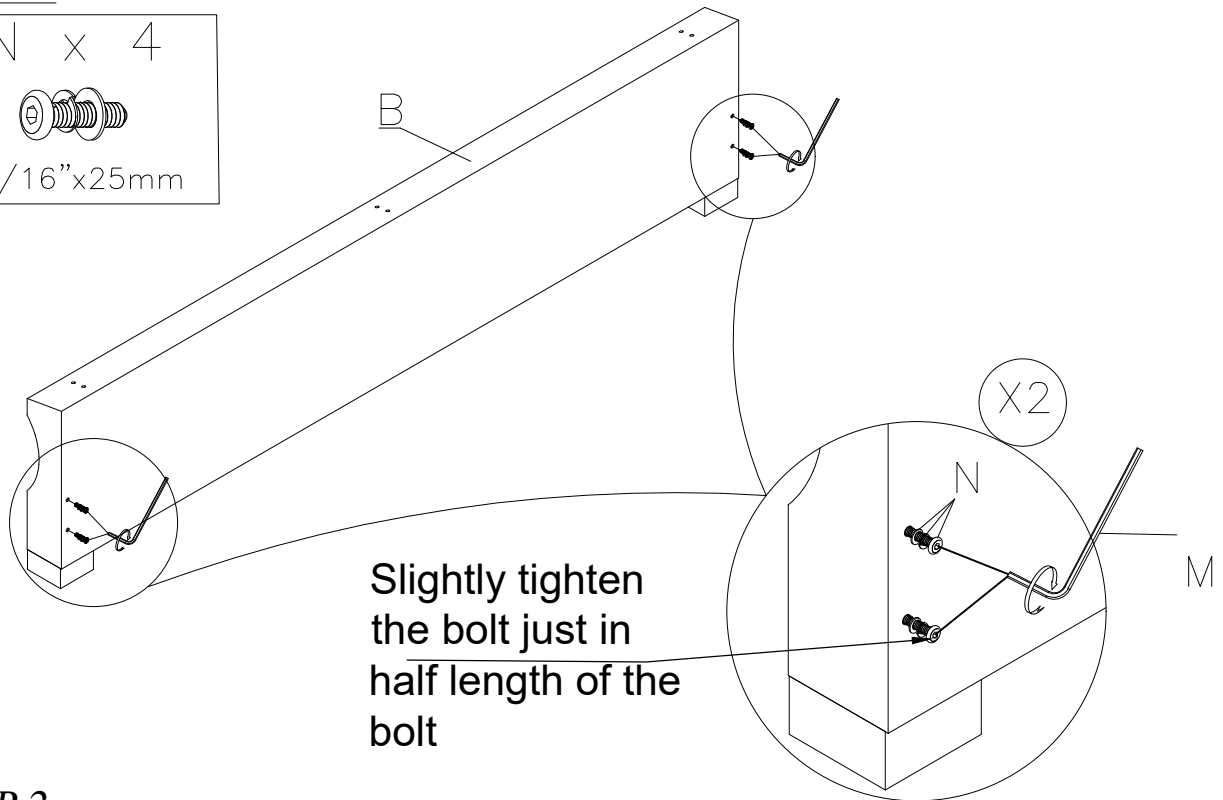
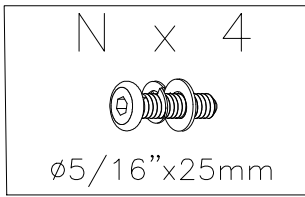
<p>M x 1</p>  <p>(M4)</p>	<p>N x 10</p>  <p>ø5/16"x25mm</p>	<p>P x 12</p>  <p>ø1/4"x45mm</p>	<p>R x 2</p>  <p>ø5/16"x45mm</p>
<p>S x 4</p>  <p>ø1/4"x80mm</p>	<p>T x 8</p>  <p>ø4x20mm</p>		

CARLTON-KING-QUEEN

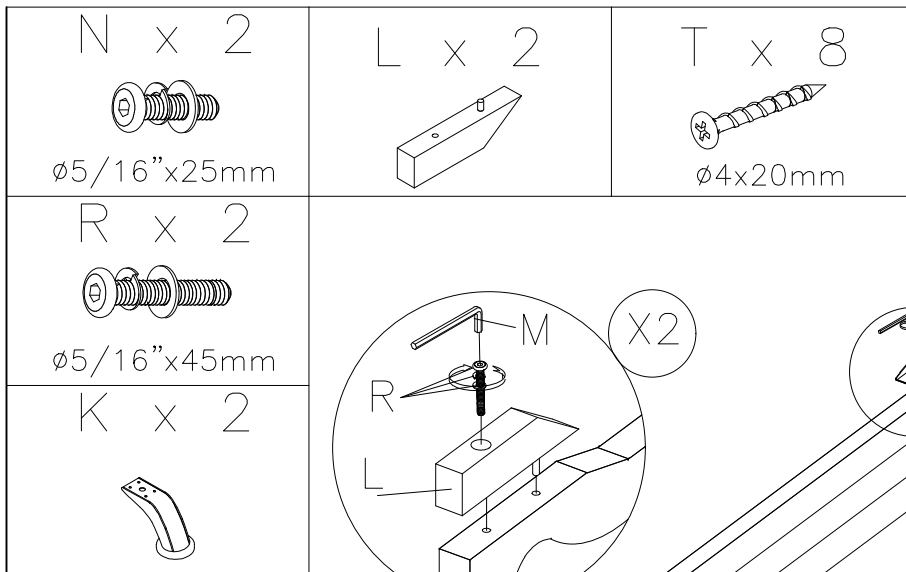


CARLTON-KING-QUEEN

STEP 1:

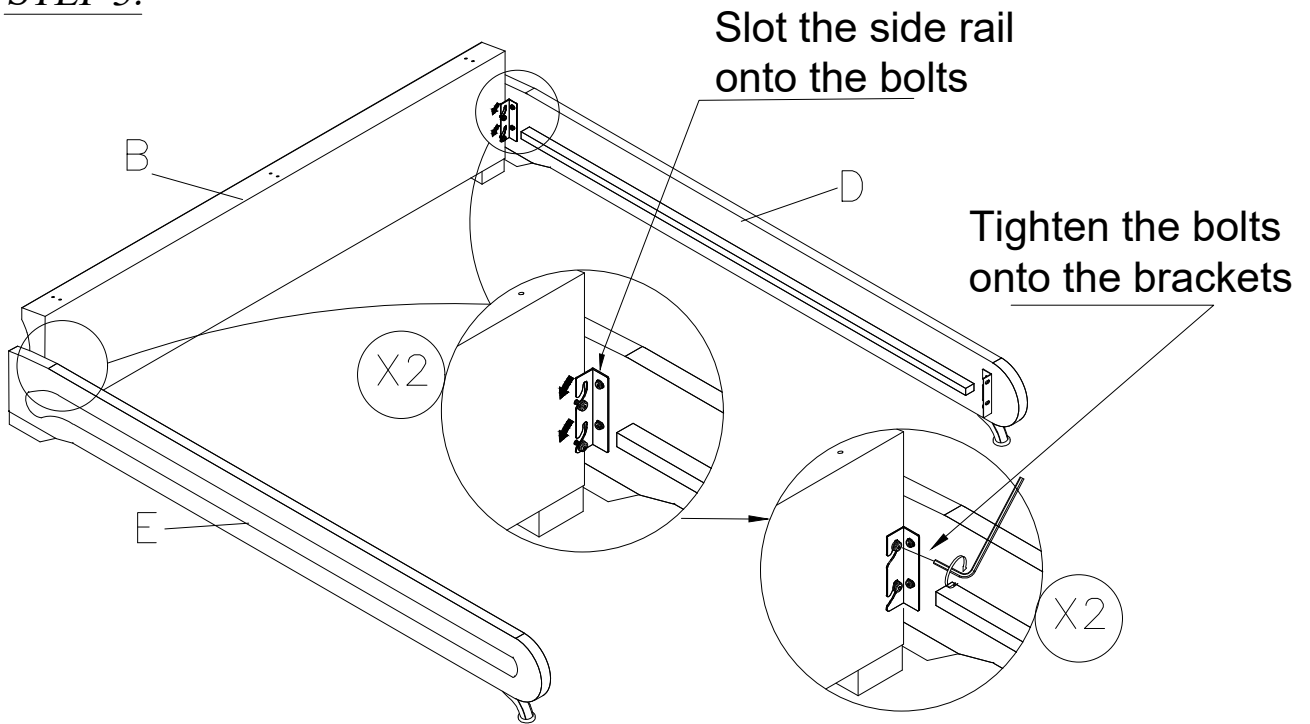


STEP 2:

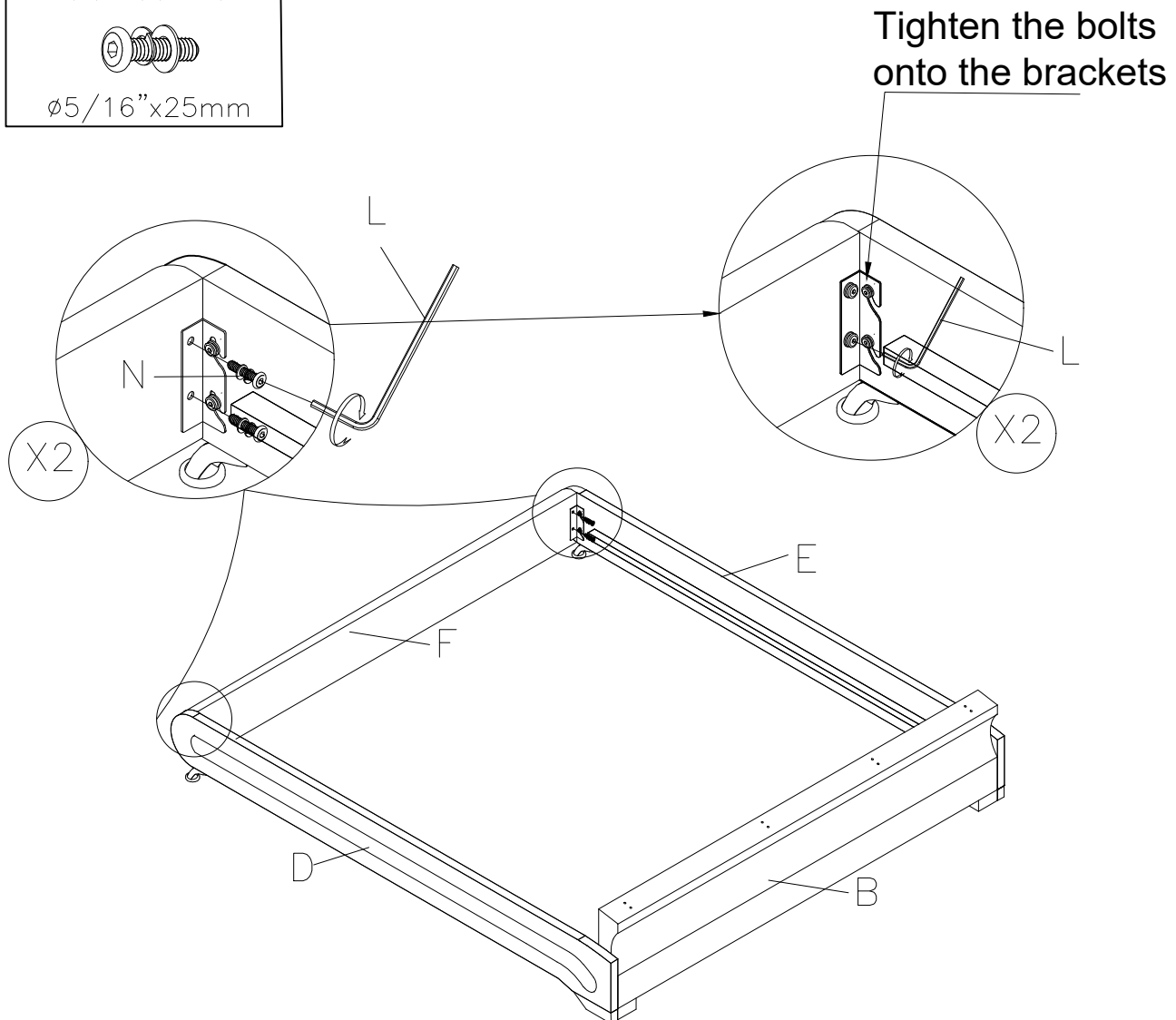
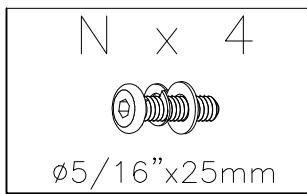


CARLTON-KING-QUEEN

STEP 3:

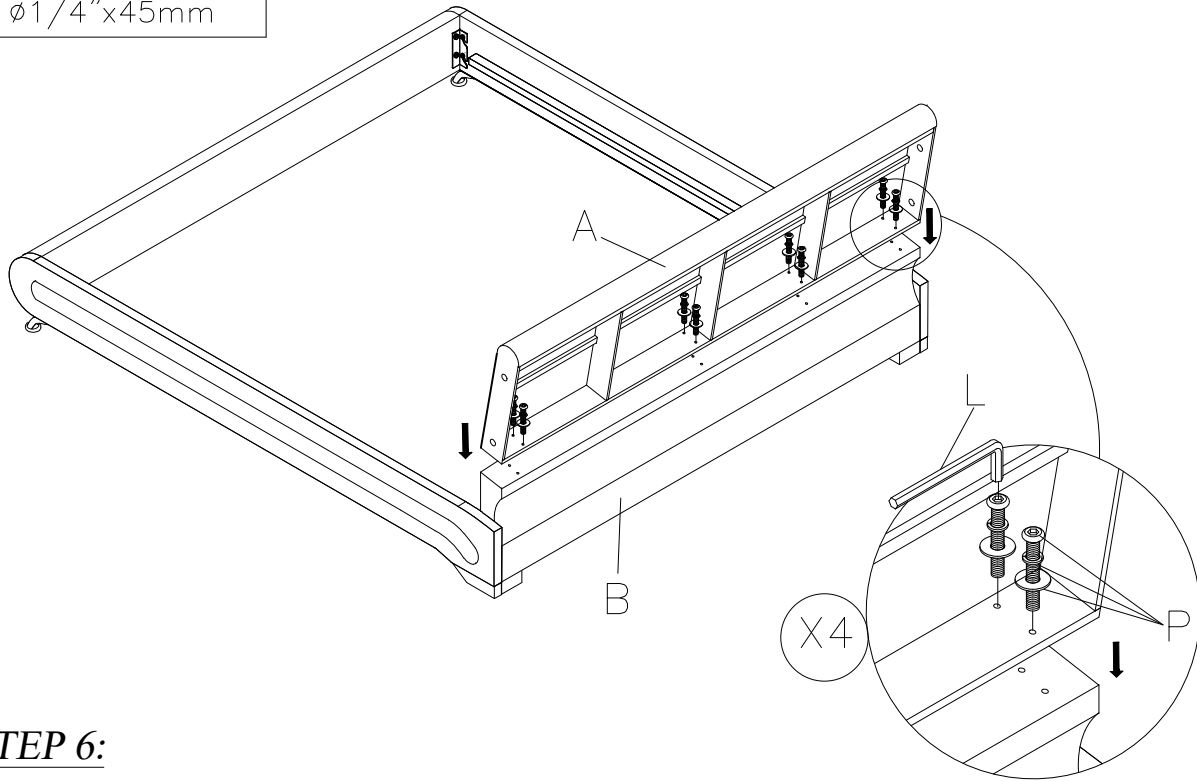
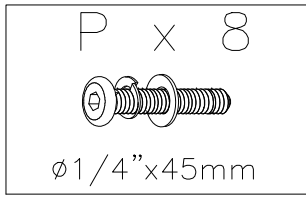


STEP 4:

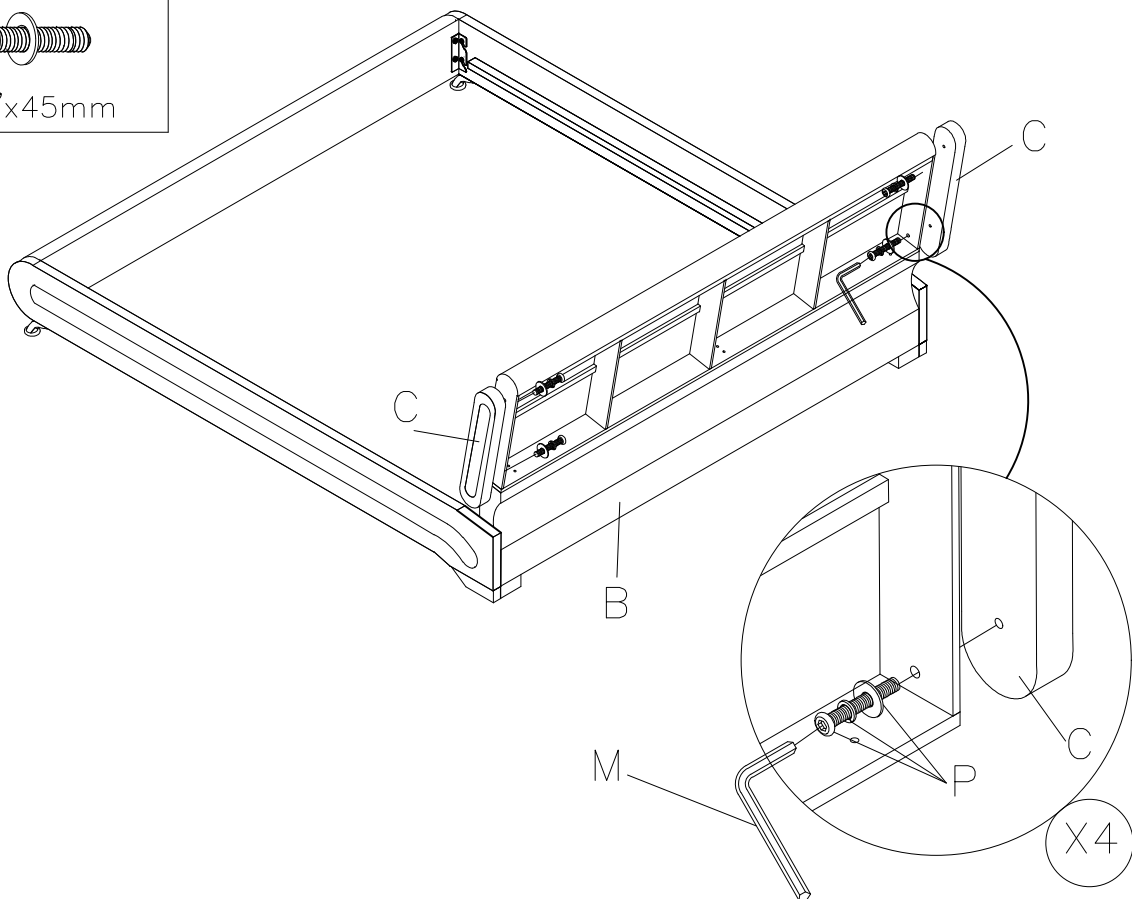
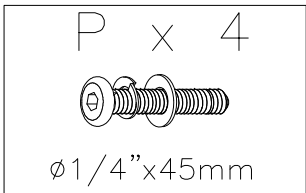


CARLTON-KING-QUEEN

STEP 5:



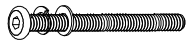
STEP 6:



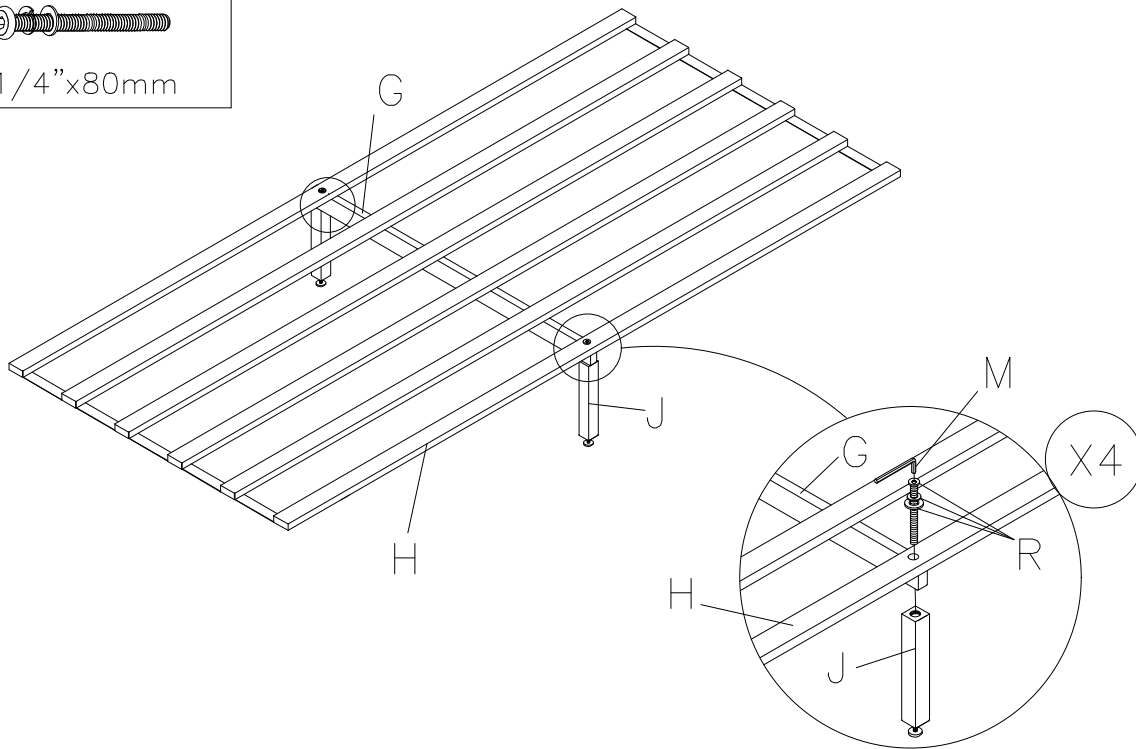
CARLTON-KING-QUEEN

STEP 7:

S x 4



Ø1/4" x 80mm



STEP 8:

